

# LiftMaster®

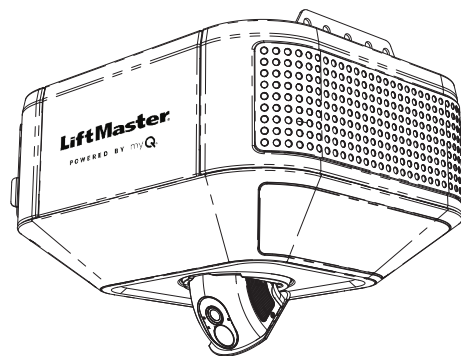
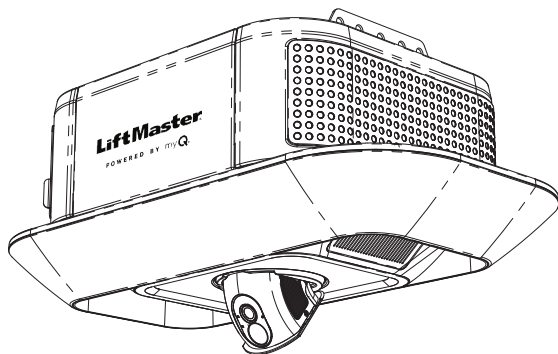
## Installation Manual

### Smart LED Garage Door Openers

Belt Drive Models: 6690L, 6580L

Chain Drive Models: 4690L

**FOR RESIDENTIAL USE ONLY**



- Please read this manual and the enclosed safety materials carefully!
- Periodic checks of the garage door opener are required to ensure safe operation.
- This garage door opener is **ONLY** compatible with myQ® and Security+ 3.0® accessories.
- **DO NOT** install on a one-piece door if using devices or features providing unattended close. Unattended devices and features are to be used **ONLY** with sectional doors.
- Attach warning labels to the location indicated on label.

Use QR code to  
download the  
free myQ App.



Download on the  
App Store

GET IT ON  
Google Play

Available on most iOS and Android Devices

# Contents

<b>Preparation</b> .....	<b>3</b>
myQ®Serial Number .....	3
Safety Symbol and Signal Word Review .....	3
Unattended Operation .....	3
Before You Connect with Your Smartphone .....	4
Check the Door .....	4
Tools Needed .....	5
Carton Inventory 6690L .....	6
Carton Inventory 4690L .....	7
Carton Inventory 6580L .....	8
<b>Assembly</b> .....	<b>9</b>
<b>Installation</b> .....	<b>11</b>
<b>Control Panel</b> .....	<b>18</b>
<b>Install the Protector System®</b> .....	<b>20</b>
Introduction .....	20
<b>Power</b> .....	<b>24</b>
<b>Adjustments</b> .....	<b>26</b>
<b>Battery Backup*</b> .....	<b>28</b>
Battery Status LED .....	29
<b>Operation</b> .....	<b>30</b>
Features .....	31
Connect With Your Smartphone .....	32
Set Up the Camera - Models 6690, 6580, 4690 .....	34
Using the Smart Control Panel®* .....	35
Remote Control .....	35
To Erase the Memory .....	36
To Open the Door Manually .....	36
<b>Maintenance</b> .....	<b>37</b>
Maintenance Schedule .....	37
The Remote Control Battery .....	37

<b>Troubleshooting</b> .....	<b>38</b>
Diagnostic Chart .....	38
<b>Accessories</b> .....	<b>40</b>
<b>Warranty</b> .....	<b>41</b>
<b>Automatic Garage Door Opener Safety &amp; Maintenance Guide</b> .....	<b>42</b>
Garage Door Opener Safety – An Automatic Decision .....	42
<b>Routine Maintenance Can Prevent Tragedies</b> .....	<b>43</b>
<b>Repair Parts</b> .....	<b>44</b>
Rail Assembly Parts 6690 .....	44
Installation Parts .....	44
Garage Door Opener Parts Model 6690 .....	45
Rail Assembly Parts Models 4690L .....	46
Garage Door Opener Parts Model 4690 .....	47
Assembly Parts Model 6580L .....	48
Installation .....	48
Garage Door Opener Parts 6580 .....	49

# Preparation

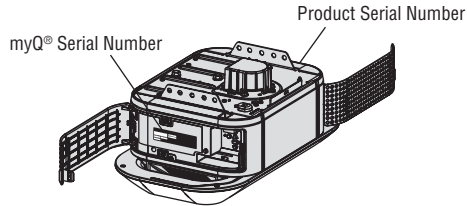
## myQ® Serial Number

Write down the following information for future reference:

myQ® Serial Number:

Product Serial Number:

Date of Purchase:



## Safety Symbol and Signal Word Review

This garage door opener has been designed and tested to offer safe service provided it is installed, operated, maintained and tested in strict accordance with the instructions and warnings contained in this manual.

When you see these Safety Symbols and Signal Words on the following pages, they will alert you to the possibility of **serious injury or death** if you do not comply with the warnings that accompany them. The hazard may come from something mechanical or from electric shock. Read the warnings carefully.



When you see this Signal Word on the following pages, it will alert you to the possibility of damage to your garage door and/or the garage door opener if you do not comply with the cautionary statements that accompany it. Read them carefully.



**WARNING:** This product can expose you to chemicals including lead, which are known to the State of California to cause cancer or birth defects or other reproductive harm. For more information go to [www.P65Warnings.ca.gov](http://www.P65Warnings.ca.gov).

## Unattended Operation

The Timer-to-Close (TTC) feature and the myQ® app are examples of unattended close and are to be used ONLY with sectional doors. Any device or feature that allows the door to close without being in the line of sight of the door is considered unattended close. The Timer-to-Close (TTC) feature, the myQ® App, and any other myQ® devices are to be used ONLY with sectional doors.

*The images throughout this manual are for reference only and your product may look different.*

## Preparation (continued)

### Before You Connect with Your Smartphone

Monitor and control your garage door from anywhere using the myQ® App.

You will need:

- Wi-Fi® enabled smartphone, tablet or laptop
- Broadband Internet Connection
- Wi-Fi® signal in the garage (2.4 GHz, 802.11b/g/n required)
- Password for your home network (router's main account, not guest network)

### TEST THE WI-FI® SIGNAL STRENGTH

Make sure your mobile device is connected to your Wi-Fi® network. Hold your mobile device in the place where your garage door opener will be installed and check the Wi-Fi® signal strength.



#### Check Signal Strength. If you see:



**Wi-Fi signal is strong.**  
The garage door opener will connect to your Wi-Fi network.

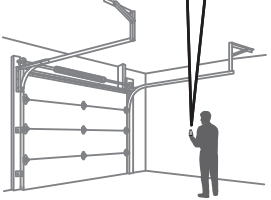


**Wi-Fi signal is weak.**  
The garage door opener may connect to your Wi-Fi network. If not, try one of the options below to improve the Wi-Fi signal:



**No Wi-Fi signal.**  
The garage door opener will not be able to connect to your Wi-Fi network. Try one of the options below to improve the Wi-Fi signal:

- Move your router closer to the garage door opener to minimize interference from walls and other objects
- Buy a Wi-Fi range extender



For compatible router specifications and help, visit [support.chamberlaingroup.com](http://support.chamberlaingroup.com).

See page 32 to connect the garage door opener to a mobile device.

### Check the Door



## WARNING

To prevent possible SERIOUS INJURY or DEATH:

- ALWAYS call a trained door systems technician if garage door binds, sticks, or is out of balance. An unbalanced garage door may NOT reverse when required.
- NEVER try to loosen, move or adjust garage door, door springs, cables, pulleys, brackets or their hardware, ALL of which are under EXTREME tension.
- Disable ALL locks and remove ALL ropes connected to garage door BEFORE installation and operating garage door opener to avoid entanglement.
- DO NOT install on a one-piece door if using devices or features providing unattended close.
- Unattended devices and features are to be used ONLY with sectional doors.



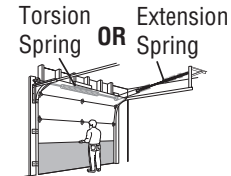
## CAUTION

To prevent damage to garage door and opener:

- ALWAYS disable locks BEFORE installing and operating the opener.
- ONLY operate garage door opener at 120V, 60 Hz to avoid malfunction and damage.

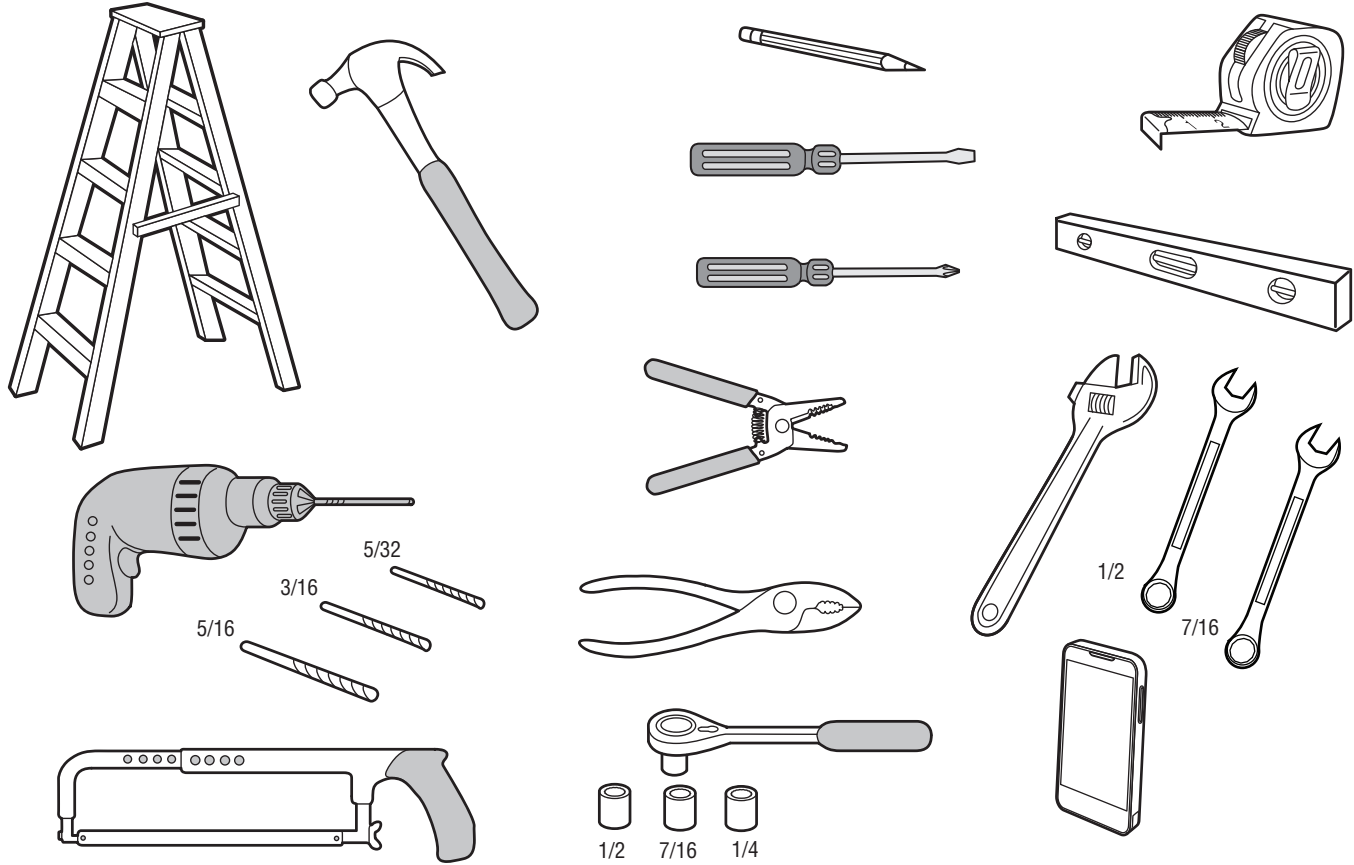
Before you begin:

1. Disable locks and remove any ropes connected to the garage door.
2. Lift the door halfway up. Release the door. If balanced, it should stay in place, supported entirely by its springs.
3. Raise and lower the door to check for binding or sticking. If your door binds, sticks, or is out of balance, call a trained door systems technician.
4. Check the seal on the bottom of the door. Any gap between the floor and the bottom of the door must not exceed 1/4" (6 mm). Otherwise, the safety reversal system may not work properly.
5. The opener should be installed above the center of the door. If there is a torsion spring or center bearing plate in the way of the header bracket, it may be installed within 4 feet (1.2 m) to the left or right of the door center. See page 12.



# Preparation (continued)

## Tools Needed



# Preparation (continued)

## Carton Inventory 6690L

Accessories will vary depending on the garage door opener model purchased. Depending on your specific model, other accessories may be included with your garage door opener. The instructions for these accessories will be attached to the accessory and are not included in this manual. **The images throughout this manual are for reference and your product may look different.**

- a. Header bracket
- b. Pulley and bracket
- c. Door bracket
- d. Curved door arm
- e. Straight door arm
- f. Trolley
- g. Emergency release rope and handle
- h. Rail
- i. Garage door opener
- j. Belt cap retainer
- k. Belt
- l. Control panel - Model L958W
- m. White and red/white wire
- n. The Protector System®  
Safety reversing sensors with white and white/black wire attached: Sending sensor (1), receiving sensor (1), and safety sensor brackets (2)
- o. Safety labels and literature
- p. Rail grease
- q. Remote control (2)
- r. Battery
- s. Keyless entry

## RAIL HARDWARE

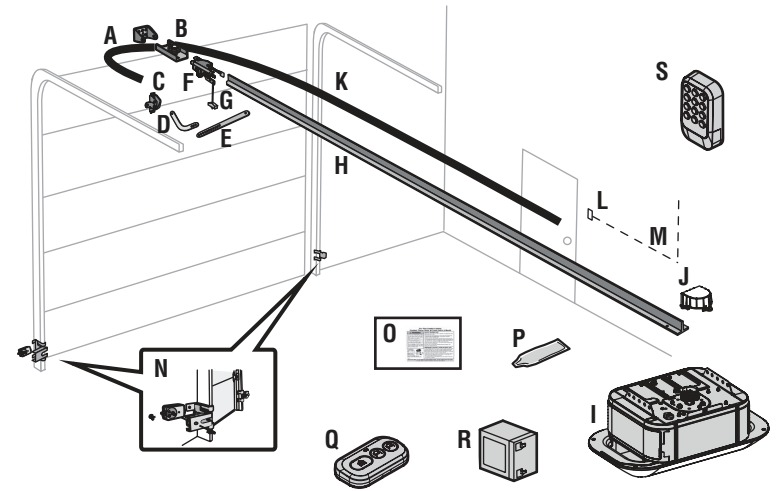
Washed Bolt 5/16"-18 x 1/2" (2) [mounted in the top of the garage door opener]

## INSTALLATION HARDWARE

- |                                |   |
|--------------------------------|---|
| Hex Bolt 5/16"-18 x 7/8" (4)   | Lock Washer 5/16" (4)                   |
| Lag Screw 5/16"-9 x 1-5/8" (2) | Self-Threading Screw 1/4"-14 x 5/8" (2) |
| Clevis Pin 5/16" x 2-3/4" (1)  | Ring Fastener (3)                       |
| Clevis Pin 5/16" x 1-1/4" (1)  | Hex Screw 10-24 (2)                     |
| Clevis Pin 5/16" x 1" (1)      | Wing Nut (2)                            |
| Nut 5/16"-18 (4)               | Drywall Anchors (2)                     |

## CONTROL PANEL HARDWARE

Screw 6AB x 1-1/4" (2)



# Preparation (continued)

## Carton Inventory 4690L

Accessories will vary depending on the garage door opener model purchased. Depending on your specific model, other accessories may be included with your garage door opener. The instructions for these accessories will be attached to the accessory and are not included in this manual. **The images throughout this manual are for reference and your product may look different.**

- a. Header bracket
- b. Pulley and bracket
- c. Door bracket
- d. Curved door arm
- e. Straight door arm
- f. Trolley
- g. Emergency release rope and handle
- h. Rail
- i. Garage door opener
- j. Chain spreader with hex screws
- k. Chain
- l. Control Panel - Model L958W
- m. White and red/white wire
- n. The Protector System®  
Safety reversing sensors with white and white/black wire attached: Sending sensor (1), receiving sensor (1), and safety sensor brackets (2)
- o. Safety labels and literature
- p. Rail grease
- q. Remote control(s)
- r. Battery
- s. Chassis support bracket

## HARDWARE

### Chassis Support Bracket Hardware

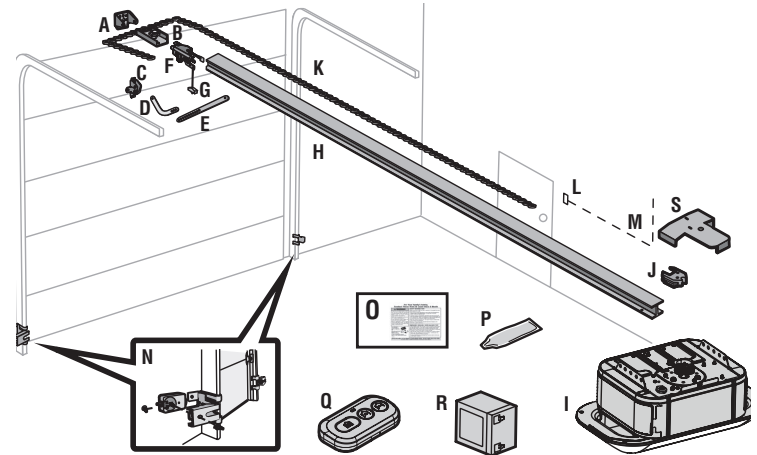
- Screw #8-32 x 3/8" (1)
- Hex Bolts 1/4"-20 x 5/8" (2)

## INSTALLATION HARDWARE

- Hex Bolt 5/16"-18 x 7/8" (4)
- Lag Screw 5/16"-9 x 1-5/8" (2)
- Clevis Pin 5/16" x 2-3/4" (1)
- Clevis Pin 5/16" x 1-1/4" (1)
- Clevis Pin 5/16" x 1" (1)
- Nut 5/16"-18 (4)
- Lock Washer 5/16" (4)
- Self-Threading Screw 1/4"-14 x 5/8" (2)
- Ring Fastener (3)
- Hex Screw 10-24 (2)
- Wing Nut (2)
- Hex Bolt 1/4"-20 x 5/8" (2)
- Lock Nut 1/4"-20 (2)
- Lag Screw 1/4" x 1-1/2" (4)

## CONTROL PANEL HARDWARE

- Screw 6AB x 1-1/4" (2)
- Drywall Anchors (2)



# Preparation (continued)

## Carton Inventory 6580L

Accessories will vary depending on the garage door opener model purchased. Depending on your specific model, other accessories may be included with your garage door opener. The instructions for these accessories will be attached to the accessory and are not included in this manual. **The images throughout this manual are for reference and your product may look different.**

- a. Header bracket
  - b. Pulley and bracket
  - c. Door bracket
  - d. Curved door arm
  - e. Straight door arm
  - f. Trolley
  - g. Emergency release rope and handle
  - h. Rail
  - i. Garage door opener
  - j. Belt cap retainer
  - k. Belt
  - l. Control panel - Model L957W
  - m. White and red/white wire
  - n. The Protector System®
- Safety reversing sensors with 2 conductor white and white/black wire attached:**  
Sending sensor (1), receiving sensor (1), and safety sensor brackets (2)
- o. Safety labels and literature
  - p. Rail grease
  - q. Remote control(s)
  - r. Battery

## INSTALLATION HARDWARE

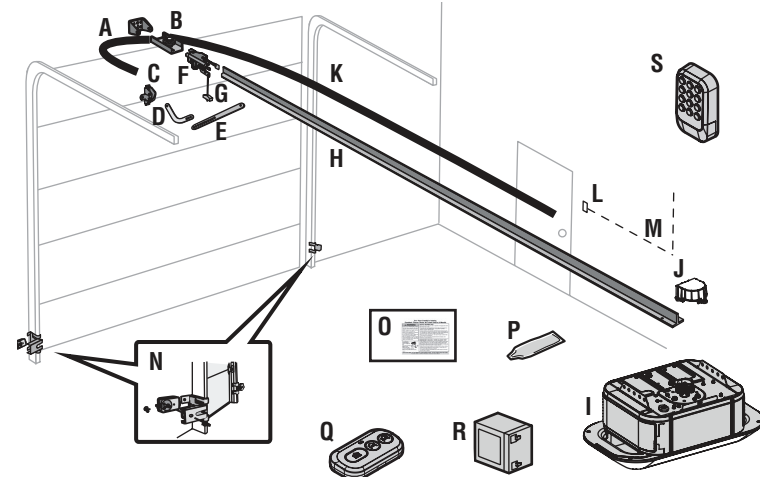
- |                                |   |
|--------------------------------|---|
| Hex Bolt 5/16"-18 x 7/8" (4)   | Lock Washer 5/16" (4)                   |
| Lag Screw 5/16"-9 x 1-5/8" (2) | Self-Threading Screw 1/4"-14 x 5/8" (2) |
| Clevis Pin 5/16" x 2-3/4" (1)  | Ring Fastener (3)                       |
| Clevis Pin 5/16" x 1-1/4" (1)  | Hex Screw 10-24 (2)                     |
| Clevis Pin 5/16" x 1" (1)      | Wing Nut (2)                            |
| Nut 5/16"-18 (4)               |   |

## RAIL HARDWARE

Washer Bolt 5/16"-18 x 1/2" (2) (mounted in the top of the garage door opener)

## CONTROL PANEL HARDWARE

Screw 6AB x 1-1/4" (2)  
Drywall Anchors (2)



# Assembly

## 1 Attach the Belt Rail to the Garage Door Opener 6690L, 6580L

### WARNING

To avoid possible SERIOUS INJURY to finger from moving garage door opener:

- ALWAYS keep hand clear of sprocket while operating opener.

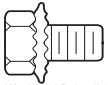
### CAUTION

To avoid SERIOUS damage to garage door opener, use ONLY those bolts/fasteners mounted in the top of the opener.

**NOTE:** ONLY use the bolts removed from the garage door opener. Place the garage door opener on the packing material to prevent scratching.

1. **Models 6690L and 6580L** Remove the two bolts from the top of the garage door opener.
2. Cut away and discard the tape and Styrofoam from around the rail, proceed to align the holes in the rail with the holes in the garage door opener.
3. Fasten the rail with the previously mentioned bolts.
4. Position the belt around the garage door opener sprocket.
5. Position the belt cap retainer over the garage door opener sprocket and attach with hex screws.

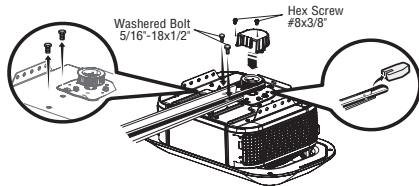
#### HARDWARE



Washed Bolt 5/16"-18x1/2"  
(Mounted in the garage door opener)

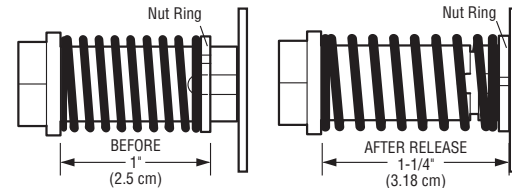
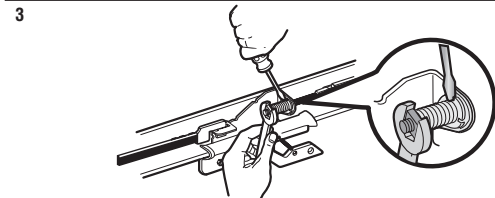
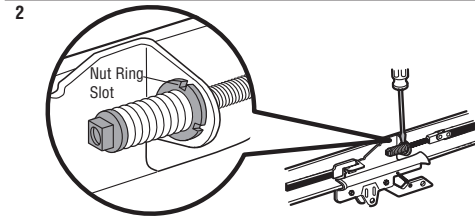
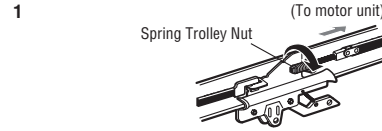


Hex Screw  
#8x3/8"



## 2 Tighten the Belt

1. By hand, thread the spring trolley nut on the threaded shaft until it is finger tight against the trolley. Do not use any tools.
2. Insert a flathead screwdriver tip into one of the nut ring slots and brace it firmly against the trolley.
3. Tighten the spring trolley nut with an adjustable wrench or a 7/16" open end wrench about a quarter turn until the spring releases and snaps the nut ring against the trolley. This sets the spring to optimum belt tension.



# Assembly (continued)

## 1 Attach the I-Beam Chain Rail to the Garage Door Opener 4690

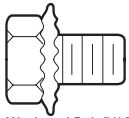
### CAUTION

To avoid **SERIOUS** damage to garage door opener, use **ONLY** those bolts/fasteners mounted in the top of the opener.

**NOTE:** *ONLY* use the bolts removed from the garage door opener. Place the garage door opener on the packing material to prevent scratching.

1. Remove the two bolts from the top of the garage door opener.
2. Cut away and discard the tape and Styrofoam from around the rail, proceed to align the holes in the rail with the holes in the garage door opener.
3. Fasten the rail with the previously mentioned bolts.
4. Attach the chain spreader to the garage door opener with screws.
5. Guide the chain around the selected groove in the chain spreader.
6. Position the chain around the garage door opener sprocket.

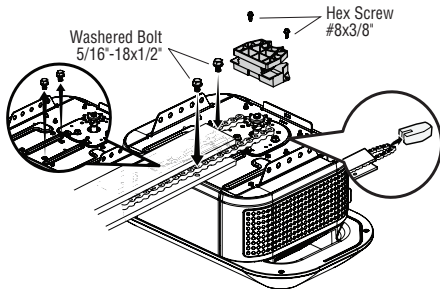
#### HARDWARE



Washed Bolt 5/16-18x1/2"  
(Mounted in the garage door opener)



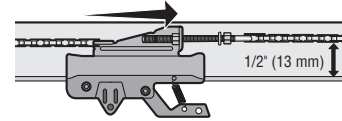
Hex Screw  
#8x3/8"



## 2 Tighten the Chain

1. Loosen the inner nut and lock washer on the trolley threaded shaft.
2. Tighten the outer nut until the chain is 1/2" above the base of the rail at the midpoint of the rail.
3. Re-tighten the inner nut.

Slack in the chain is normal when the door is closed. No readjustment is necessary.



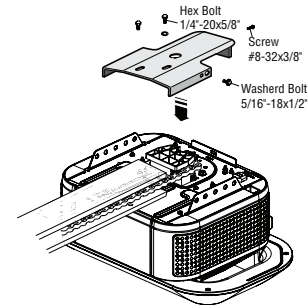
## 3 Attach the Chassis Support Bracket

### WARNING

To avoid possible **SERIOUS INJURY** to finger from moving garage door opener:

- ALWAYS keep hand clear of sprocket while operating opener.

1. Position the chassis support bracket on the unit.
2. Attach the bracket to the rail with 1/4"-20 x 5/8" hex bolts and lock washers. **Do not overtighten.**
3. Attach the bracket to the opener by inserting a 5/16"-18 x 1/2" washered screw through a hole in each side flange and a matching hole in the bracket. Complete the connection by inserting the #8-32 x 3/8" screw through the back flange and the hole in rail support.



## Important Safety Instructions



### WARNING

#### To reduce the risk of SEVERE INJURY or DEATH:

1. READ AND FOLLOW ALL INSTALLATION WARNINGS AND INSTRUCTIONS.
2. Install garage door opener ONLY on properly balanced and lubricated garage door. An improperly balanced door may NOT reverse when required and could result in SEVERE INJURY or DEATH.
3. ALL repairs to cables, spring assemblies and other hardware MUST be made by a trained door systems technician BEFORE installing opener.
4. Disable ALL locks and remove ALL ropes connected to garage door BEFORE installing opener to avoid entanglement.
5. Where possible, install the door opener 7 feet (2.13 m) or more above the floor.
6. Mount the emergency release within reach, but at least 6 feet (1.83 m) above the floor and avoiding contact with vehicles to avoid accidental release.
7. NEVER connect garage door opener to power source until instructed to do so.
8. NEVER wear watches, rings or loose clothing while installing or servicing opener. They could be caught in garage door or opener mechanisms.
9. Install wall-mounted garage door control:
  - within sight of the garage door.
  - out of reach of small children at a minimum height of 5 feet (1.5 m) above floors, landings, steps or any other adjacent walking surface.
  - away from ALL moving parts of the door.
10. Place entrapment warning label on wall next to garage door control in a prominent location.
11. Place emergency release/safety reverse test label in plain view on inside of garage door.
12. Upon completion of installation, test safety reversal system. Door MUST reverse on contact with a 1-1/2" (3.8 cm) high object (or a 2x4 laid flat) on the floor.
13. DO NOT install on a one-piece door if using devices or features providing unattended close. Unattended devices and features are to be used ONLY with sectional doors.

### 14. SAVE THESE INSTRUCTIONS.

# Installation (continued)

## 1 Determine the Header Bracket Location

### **WARNING**

To prevent possible SERIOUS INJURY or DEATH:

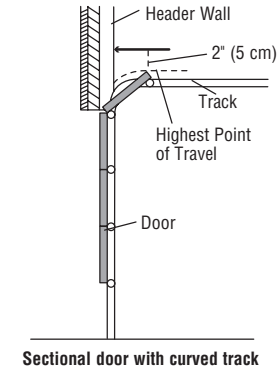
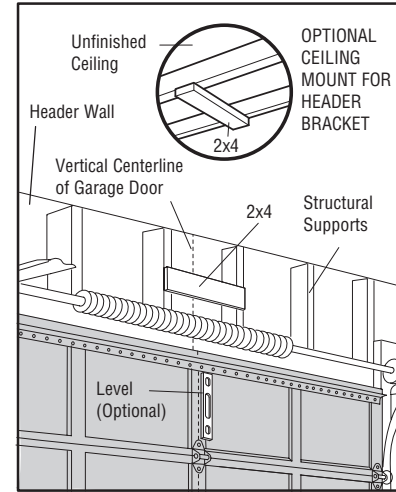
- Header bracket **MUST** be RIGIDLY fastened to structural support on header wall or ceiling, otherwise garage door might NOT reverse when required. DO NOT install header bracket over drywall.
- Concrete anchors **MUST** be used if mounting header bracket or 2x4 into masonry.
- NEVER try to loosen, move or adjust garage door, springs, cables, pulleys, brackets, or their hardware, ALL of which are under EXTREME tension.
- ALWAYS call a trained door systems technician if garage door binds, sticks, or is out of balance. An unbalanced garage door might NOT reverse when required.

Close the door and mark the inside vertical centerline of the garage door.

Extend the line onto the header wall above the door. You can fasten the header bracket within 4 feet (1.22 m) of the left or right of the door center only if a torsion spring or center bearing plate is in the way; or you can attach it to the ceiling when clearance is minimal. (It may be mounted on the wall upside down if necessary, to gain approximately 1/2" (1 cm). If you need to install the header bracket on a 2x4 (on wall or ceiling), use lag screws (not provided) to securely fasten the 2x4 to structural supports.

Open your door to the highest point of travel as shown. Draw an intersecting horizontal line on the header wall 2" (5 cm) above the high point. This height will provide travel clearance for the top edge of the door.

**NOTE:** If the total number of inches exceeds the height available in your garage, use the maximum height possible, or refer to page 13 for ceiling installation.



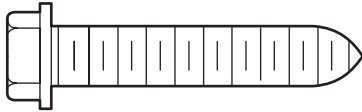
# Installation (continued)

## 2 Install the Header Bracket

You can attach the header bracket either to the wall above the garage door, or to the ceiling. Follow the instructions which will work best for your particular requirements. **Do not install the header bracket over drywall. If installing into masonry, use concrete anchors (not provided).**

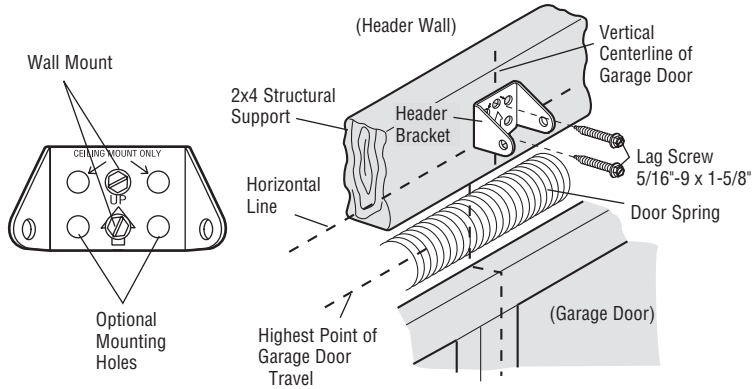
### HARDWARE

Lag Screw 5/16"-9x1-5/8"



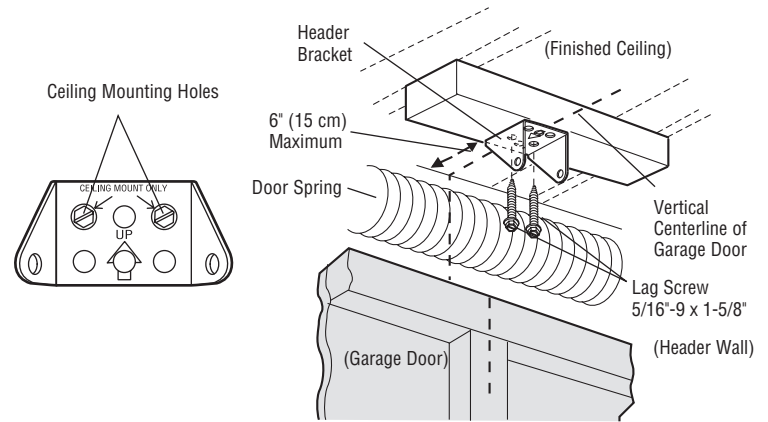
### OPTION A - WALL INSTALLATION

1. Center the bracket on the vertical centerline with the bottom edge of the bracket on the horizontal line as shown (with the arrow pointing toward the ceiling).
2. Mark the vertical set of bracket holes (do not use the holes designated for ceiling mount). Drill 3/6" pilot holes and fasten the bracket securely to a structural support with lag screws.



### OPTION B - CEILING INSTALLATION

1. Extend the vertical centerline onto the ceiling as shown.
2. Center the bracket on the vertical mark, no more than 6" (15 cm) from the wall. Make sure the arrow is pointing toward the wall. The bracket can be mounted flush against the ceiling when clearance is minimal.
3. Mark the side holes. Drill 3/16" pilot holes and fasten bracket securely to a structural support with the hardware provided.



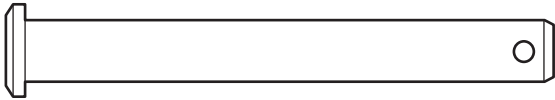
## Installation (continued)

### 3 Attach the Rail to the Header Bracket

1. Align the rail with the header bracket. Insert the clevis pin through the holes in the header bracket and rail. Secure with the ring fastener.

**NOTE:** Use the packing material as a protective base for the garage door opener.

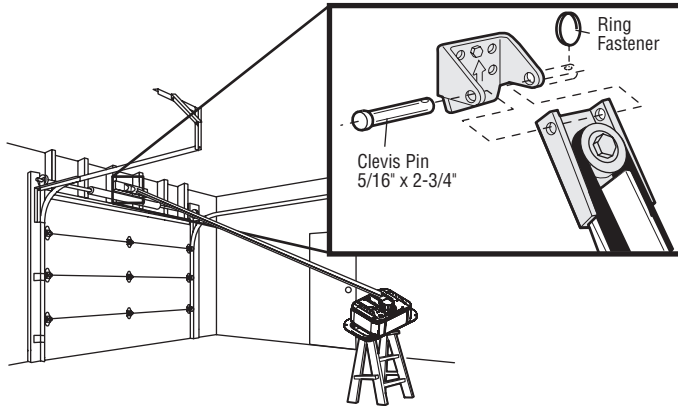
#### HARDWARE



Clevis Pin 5/16" x 2-3/4"



Ring Fastener



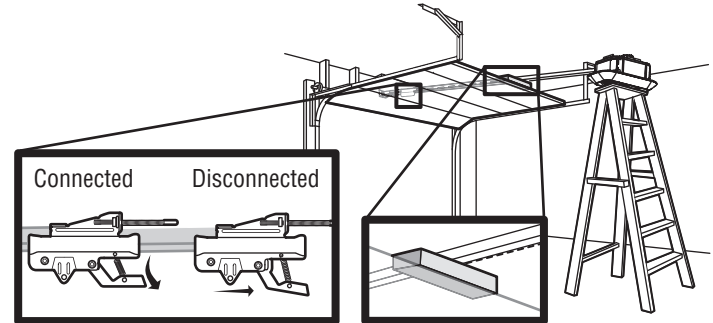
### 4 Position the Garage Door Opener

#### CAUTION

To prevent damage to garage door, rest garage door opener rail on 2x4 placed on top section of door.

1. Remove the packing material and lift the garage door opener onto a ladder.
2. Fully open the door and place a 2x4 (laid flat) under the rail.

A 2x4 is ideal for setting the distance between the rail and the door. If the ladder is not tall enough you will need help at this point. If the door hits the trolley when it is raised, pull the trolley release arm down to disconnect the inner and outer trolley. Slide the outer trolley toward the garage door opener. The trolley can remain disconnected until instructed.



# Installation (continued)

## 5 Hang the Garage Door Opener

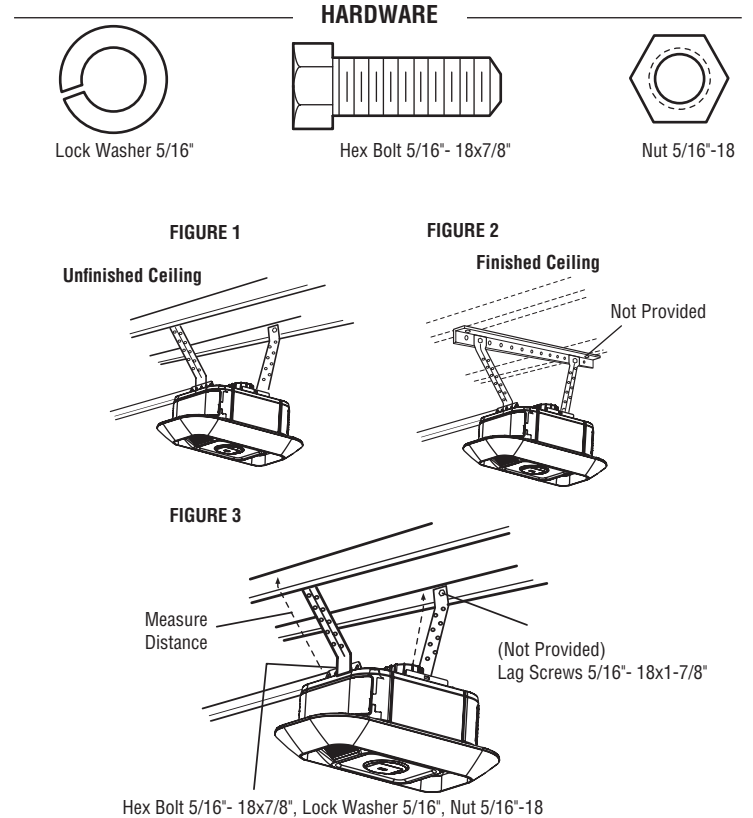
### **WARNING**

To avoid possible **SERIOUS INJURY** from a falling garage door opener, fasten it **SECURELY** to structural supports of the garage. Concrete anchors **MUST** be used if installing **ANY** brackets into masonry.

Hanging your garage door opener will vary depending on your garage. Two representative installations are shown. Yours may be different. Hanging brackets should be angled (Figure 1) to provide rigid support. On finished ceilings (Figure 2), attach a sturdy metal bracket to structural supports before installing the opener. This bracket and fastening hardware are not provided.

1. Check to make sure the rail is centered over the door (or in line with the header bracket if the bracket is not centered above the door).
2. Measure the distance from each side of the motor unit to the structural support (Figure 3).
3. Cut both pieces of the hanging bracket to required lengths.
4. Drill 3/16" pilot holes in the structural supports.
5. Attach one end of each bracket to a support with 5/16"-18 x 1-7/8" lag screws (not provided).
6. Fasten the opener to the hanging brackets with 5/16"-18 x 7/8" hex bolts, lock washers and nuts.
7. Remove the 2x4. Operate the door manually. If the door hits the rail, raise the header bracket.

**NOTE:** *DO NOT connect power to opener at this time.*



## Installation (continued)

### 6 Attach the Emergency Release Rope and Handle

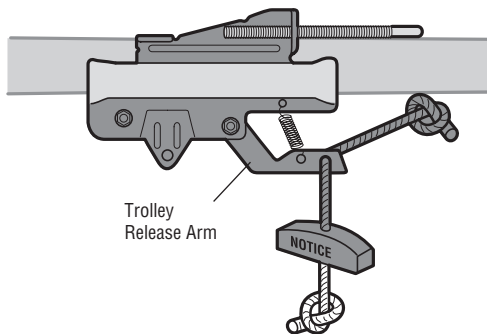
#### **WARNING**

To prevent possible **SERIOUS INJURY** or **DEATH** from a falling garage door:

- If possible, use emergency release handle to disengage trolley **ONLY** when garage door is **CLOSED**. Weak or broken springs or unbalanced door could result in an open door falling rapidly and/or unexpectedly.
- **NEVER** use emergency release handle unless garage doorway is clear of persons and obstructions.
- **NEVER** use handle to pull door open or closed. If rope knot becomes untied, you could fall.

1. Insert one end of the emergency release rope through the handle. Make sure that "NOTICE" is right side up. Secure with an overhand knot at least 1" (2.5 cm) from the end of the rope to prevent slipping.
2. Close the door manually to access the trolley and continue to the next step.
3. Insert the other end of the emergency release rope through the hole in the trolley release arm. Mount the emergency release within reach, but at least 6 feet (1.83 m) above floor, avoiding contact with vehicles to prevent accidental release and secure with an overhand knot.

**NOTE:** If it is necessary to cut the emergency release rope, seal the cut end with a match or lighter to prevent unraveling. Ensure the emergency release rope and handle are above the top of all vehicles to avoid entanglement.

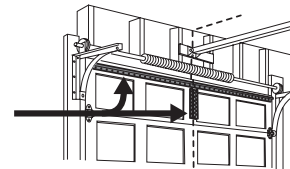


### 7 Install the Door Bracket

#### **CAUTION**

Fiberglass, aluminum or lightweight steel garage doors **WILL REQUIRE** reinforcement **BEFORE** installation of door bracket. Contact the garage door manufacturer or installing dealer for opener reinforcement instructions or reinforcement kit.

A horizontal and vertical reinforcement is needed for lightweight garage doors (fiberglass, aluminum, steel, doors with glass panel, etc.) (not provided). A horizontal reinforcement brace should be long enough to be secured to two or three vertical supports. A vertical reinforcement brace should cover the height of the top panel. Contact the garage door manufacturer or installing dealer for opener reinforcement instructions or reinforcement kit.



**NOTE:** Many door reinforcement kits provide for direct attachment of the clevis pin and door arm. In this case you will not need the door bracket; proceed to the next step.

#### **REINFORCING LIGHTWEIGHT SECTIONAL GARAGE DOORS**

To ensure the safe and reliable operation of a garage door opener, it is critical to reinforce the top section of lightweight sectional garage doors in accordance with the manufacturer's specifications.

- This reinforcement strengthens the area where the operator arm connects to the door, enabling it to withstand the repeated forces applied during opening and closing cycles.
- Without proper reinforcement, the top section may flex, deform, or fail over time—compromising both the performance and the safety of the entire system.

#### **SECTIONAL DOORS**

1. Center the door bracket on the previously marked vertical centerline used for the header bracket installation. Note correct UP placement, as stamped inside the bracket.
2. Position the top edge of the bracket 2"-4" (5-10 cm) below the top edge of the door, OR directly below any structural support across the top of the door.
3. Mark, drill holes and install as follows, depending on your door's construction:

**Metal or light weight doors using a vertical angle iron brace between the door panel support and the door bracket:**

- Drill 3/16" fastening holes. Secure the door bracket using the two self threading screws. (Figure 1)
- Alternately, use two 5/16"-18x2" bolts, lock washers and nuts (not provided). (Figure 2)

# Installation (continued)

## Metal, insulated or light weight factory reinforced doors:

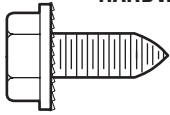
- Drill 3/16" fastening holes. Secure the door bracket using the self-threading screws. (Figure 3)

## Wood Doors:

- Use top and bottom or side to side door bracket holes. Drill 5/16" holes through the door and secure bracket with 5/16"-18 x 2" carriage bolts, lock washers and nuts (not provided). (Figure 4)

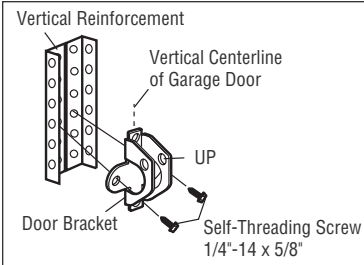
**NOTE:** The 1/4"-14 x 5/8" self-threading screws are not intended for use on wood doors.

## HARDWARE

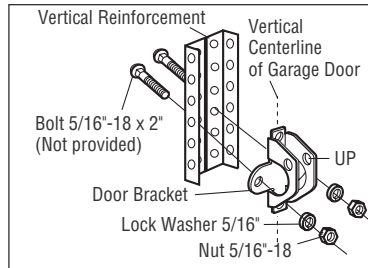


Self-Threading Screw  
1/4"-14 x 5/8"

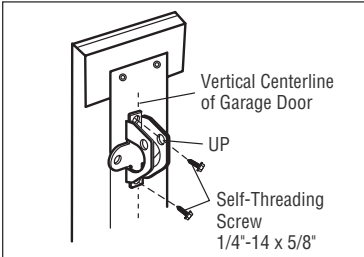
**FIGURE 1**



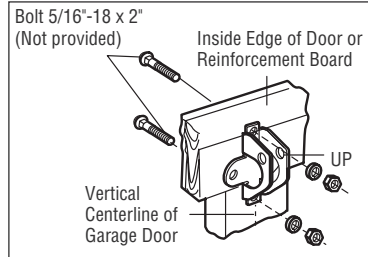
**FIGURE 2**



**FIGURE 3**



**FIGURE 4**



## 8 Connect the Door Arm to the Trolley

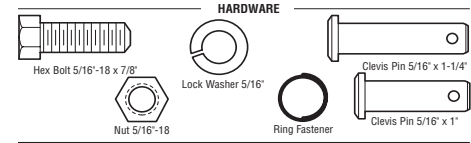
**IMPORTANT:** The groove on the straight door arm **MUST** face away from the curved door arm.

1. Close the door. Disconnect the trolley by pulling the emergency release handle. Slide the outer trolley back (away from the door) about 2" (5 cm).
2. Attach the straight door arm to the outer trolley using the clevis pin. Attach with the ring fastener.
3. Attach the curved door arm to the door bracket using the clevis pin. Attach with the ring fastener.
4. Align the straight door arm with the curved door arm. Select two aligned holes (as far apart as possible) and attach using the bolts, nuts and lock washers.

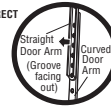
**NOTE:** When the garage door is in the fully closed position, the curved arm connecting the operator to the door should be positioned so that the lower portion of the arm—extending from the door bracket—is as close to horizontal as possible. This alignment ensures optimal mechanical leverage and smooth operation of the drawbar operator.

**NOTE:** If the holes do not line up, reverse the straight door arm. Select two aligned holes (as far apart as possible) and attach using the bolts, nuts and lock washers.

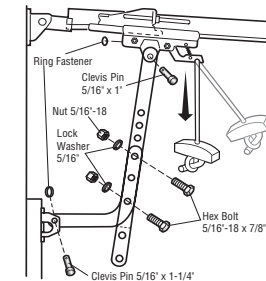
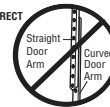
5. Pull the emergency release handle toward the garage door opener until the trolley release arm is horizontal. The trolley will re-engage automatically when the garage door opener is activated.



**CORRECT**



**INCORRECT**



# Control Panel

## 1 Install the Control Panel



### WARNING

To prevent possible SERIOUS INJURY or DEATH from electrocution:

- Be sure power is NOT connected BEFORE installing control panel.
- Connect control panel ONLY to 12 VOLT low voltage wires.

To prevent possible SERIOUS INJURY or DEATH from a closing garage door:

- Install control panel within sight of garage door, out of reach of small children at a minimum height of 5 feet (1.5 m) above floors, landings, steps or any other adjacent walking surface, and away from ALL moving parts of door.
- NEVER permit children to operate or play with control panel push buttons or remote control transmitters.
- Activate door ONLY when it can be seen clearly, is properly adjusted, and there are no obstructions to door travel.
- ALWAYS keep garage door in sight until completely closed. NEVER permit anyone to cross path of closing garage door.

## INTRODUCTION

Compatible with myQ® and Security+ 3.0 accessories, see page 40. Your garage door opener is compatible with up to 2 Control Panels.

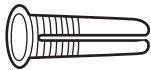
**NOTE:** Older control panels and third party products are not compatible.

For gang box installations it is not necessary to drill holes or install the drywall anchors. Use the existing holes in the gang box.

**NOTE:** Your product may look different than the illustrations.

## HARDWARE

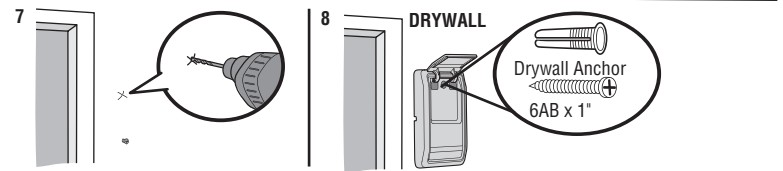
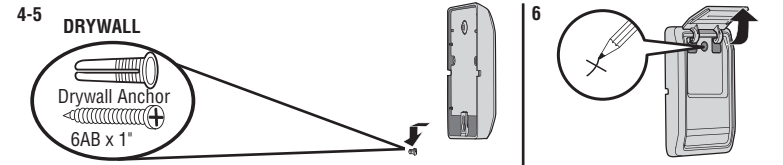
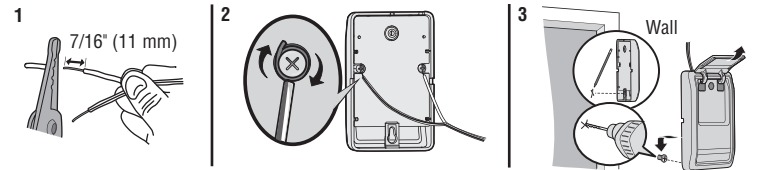
Drywall Anchors (2)



Screw  
6AB x 1" (2)



1. Strip 7/16" (11 mm) of insulation from one end of the wire and separate the wires.
2. Connect one wire to each of the two screws on the back of the control panel. The wires can be connected to either screw.  
**PRE-WIRED INSTALLATIONS:** Choose any two wires to connect, note which wires are used so the correct wires are connected at the garage door opener in a later step.
3. Mark the location of the bottom mounting hole and drill a 5/32" hole.
4. Install the bottom screw, allowing 1/8" (3 mm) to protrude from the wall.
5. Position the bottom hole of the control panel over the screw and slide down into place.
6. Lift the push bar up and mark the top hole.
7. Remove the control panel from the wall and drill a 5/32" hole for the top screw.
8. Position the bottom hole of the control panel over the screw and slide down into place. Attach the top screw.

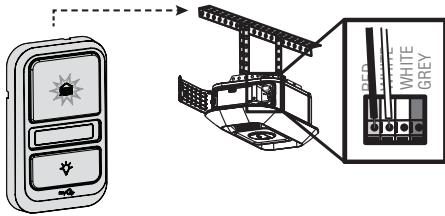


## Control Panel (continued)

### 2 Wire the Control Panel to the Garage Door Opener

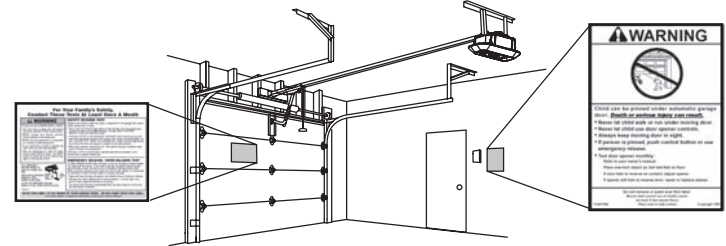
**PRE-WIRED INSTALLATIONS:** When wiring the control panel to the garage door opener make sure you use the same wires that are connected to the control panel.

1. Run the white and red/white wire from the control panel to the garage door opener. Attach the wire to the wall and ceiling with staples (not applicable for gang box or pre-wired installations). Do not pierce the wire with the staple as this may cause a short or an open circuit.
2. Strip 7/16" (11 mm) of insulation from the end of the wire near the garage door opener.
3. Connect the wire to the red and white terminals on the garage door opener. To insert or release wires from the terminal, push in the tab with screwdriver tip.



### 3 Attach the Warning Labels

1. Attach the entrapment warning label on the wall near the control panel with tacks or staples.
2. Attach the manual release/safety reverse test label in a visible location on the inside of the garage door.



# Install the Protector System®

## Introduction

### **WARNING**

Be sure power is NOT connected to the garage door opener BEFORE installing the safety reversing sensor. To prevent SERIOUS INJURY or DEATH from closing garage door:

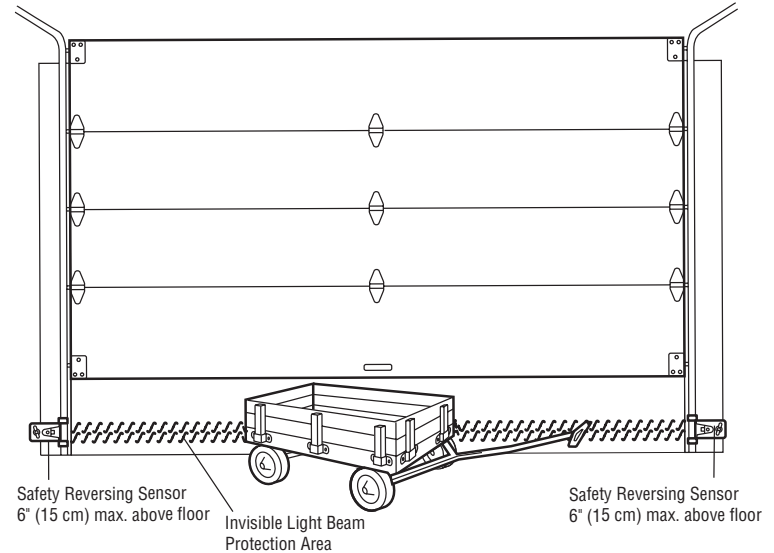
- Correctly connect and align the safety reversing sensor. This required safety device MUST NOT be disabled.
- Install the safety reversing sensor so beam is NO HIGHER than 6" (15 cm) above garage floor.

**IMPORTANT:** The safety reversing sensors MUST be connected and aligned correctly before the garage door opener will move in the down direction.

The Protector System® includes two safety reversing sensors which use a light beam to prevent the garage door from closing. The sending sensor (amber LED) transmits the beam to the receiving sensor (green LED) when both are powered and aligned. If an obstruction breaks the light beam while the door is closing, the receiving sensor (green LED) will flash, then the door will stop and reverse to the full open position.

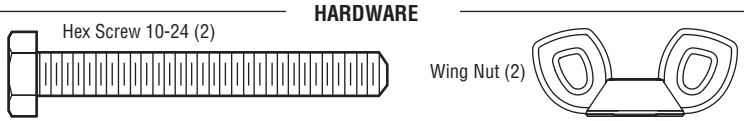
**When installing the safety reversing sensors, check:**

- Sensors are installed INSIDE the garage.
- Sensor lenses are facing each other and aligned in both a horizontal and vertical direction.
- **IMPORTANT: Do not allow direct sunlight to the receiving sensor (green LED).**
- The receiving sensor (green LED) has a label on the sensor to identify it as the receiving sensor before it is powered on.
- Sensor beam is NO HIGHER than 6" (15 cm) above the floor and the light beam is unobstructed.



# Install the Protector System® (continued)

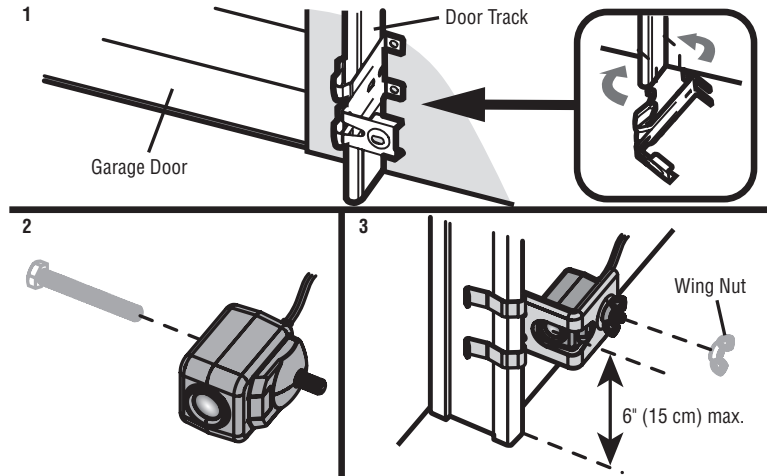
## 1 Install the Safety Reversing Sensors



The safety reversing sensors are designed to clip onto the door track with the provided sensor brackets. If the door track will not support the sensor bracket a wall installation is recommended. The sensor beam should be NO HIGHER than 6" (15 cm) above the floor.

### DOOR TRACK INSTALLATION

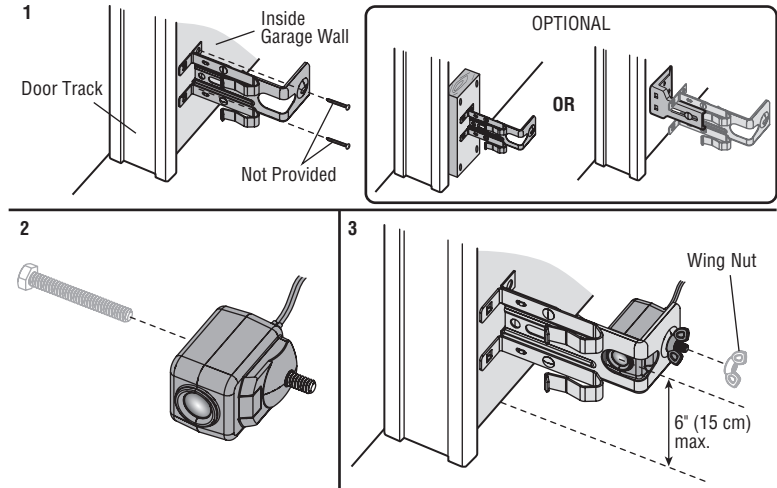
1. Slide the curved arms of the sensor bracket around the edge of the door track. Snap into place so that the sensor bracket is flush against the track.
2. Slide the hex screw through the sensor.
3. Attach the sensor to the bracket with the wing nut. Make sure the lens is not obstructed by the bracket. Repeat the steps with the other sensor on the opposite door track. Both lenses must face each other.



### WALL INSTALLATION

Make sure the brackets on each side are clear of the door track and have the same amount of clearance so the sensors will align correctly. If additional clearance is needed, use extension brackets 041A5281-1 (not provided) or wood blocks.

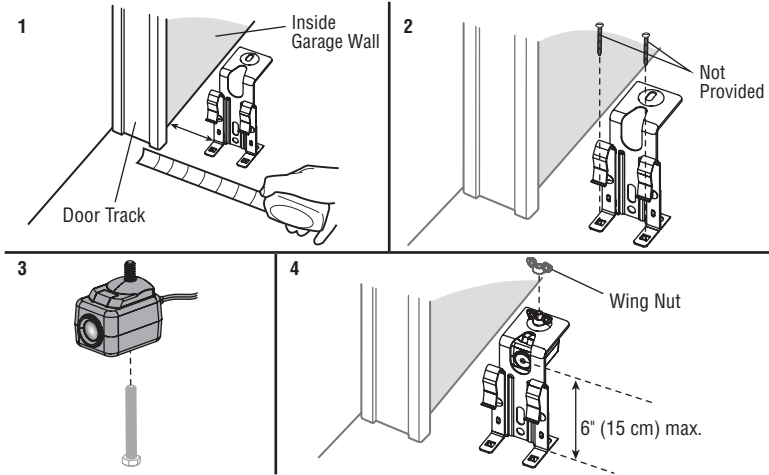
1. Attach the sensor bracket against the wall with two lag screws (not provided).
  2. Slide the hex screw through the sensor.
  3. Attach the sensor to the bracket with the wing nut. Make sure the lens is not obstructed by the bracket.
- Repeat the steps with the other sensor on the opposite side of the garage door. Both lenses must face each other.



# Install the Protector System® (continued)

## FLOOR INSTALLATION

1. Measure the position of both sensor brackets so they will be the same distance from the wall and unobstructed.
  2. Attach the bracket to the floor with concrete anchors (not provided).
  3. Slide the hex screw through the sensor.
  4. Attach the sensor to the bracket with the wing nut. Make sure the lens is not obstructed by the bracket.
- Repeat the steps with the other sensor on the opposite side of the garage door. Both lenses must face each other.

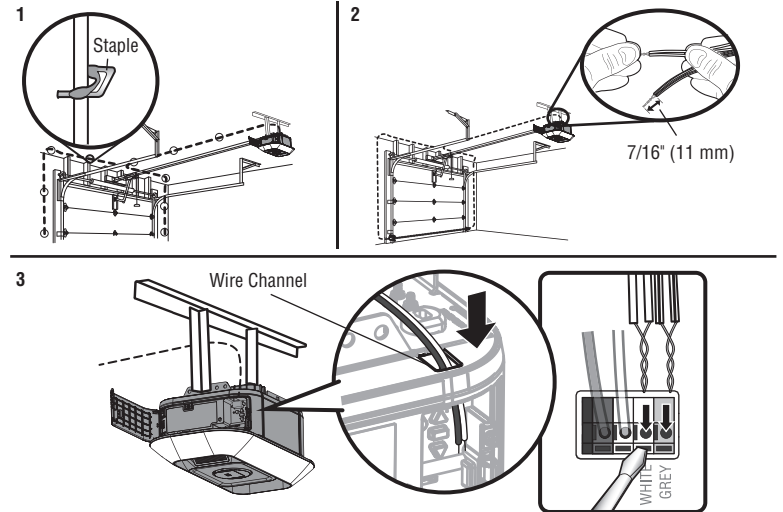


## 2 Wire the Safety Reversing Sensors

**PRE-WIRED INSTALLATIONS:** If your garage already has wires installed for the safety reversing sensors, see page 23.

### OPTION A - INSTALLATION WITHOUT PRE-WIRING

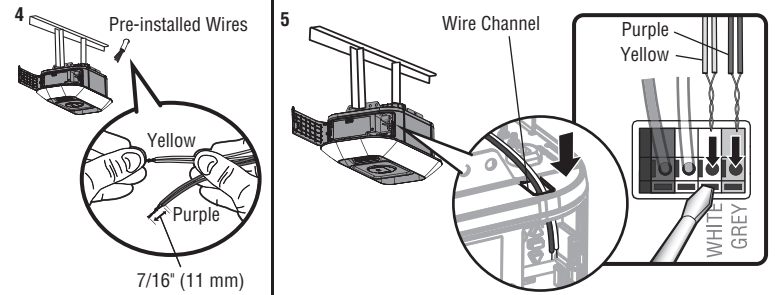
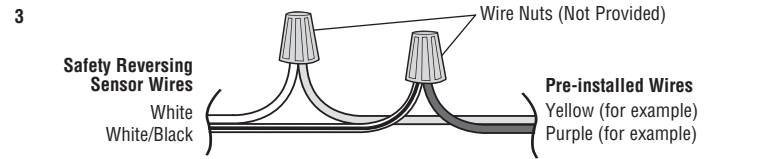
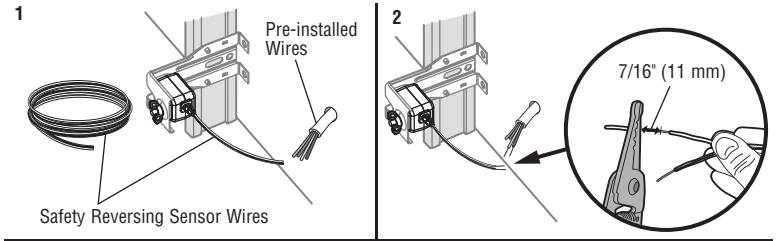
1. Run the wire from both sensors to the garage door opener. Attach with staples, but DO NOT puncture the wire.
2. Separate the sensor wires and strip insulation from each end. Twist the two white wires together. Then twist the two white/black wires together.
3. Using a screwdriver, push in the terminal tabs, and insert the white wires into the white terminal. Insert the white/black wires into the grey terminal.



# Install the Protector System® (continued)

## OPTION B - PRE-WIRED INSTALLATION

1. Cut the sensor wires, making sure there is enough wire to reach the pre-installed wires from the wall.
2. Separate the sensor wires and strip insulation from each end. Choose two of the pre-installed wires and strip insulation from each end. Choose the same color pre-installed wires for each sensor.
3. Connect the pre-installed wires to the sensor wires with wire nuts making sure the colors correspond for each sensor.
4. At the garage door opener, strip the end of the wires previously connected to the sensors. Twist the like-colored wires together.
5. Using a screwdriver, push in the terminal tabs, and insert the wire color connected to the sensor's white wire into the white terminal. Insert the other wire color connected to the sensor's white/black wire into the grey terminal.



# Power

## 1 Connect Power



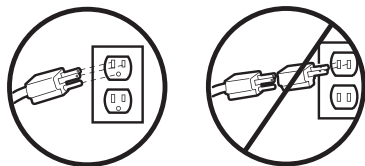
### WARNING

To prevent possible SERIOUS INJURY or DEATH from electrocution or fire:

- Be sure power is NOT connected to the opener, and disconnect power to circuit BEFORE removing cover to establish permanent wiring connection.
- Garage door installation and wiring MUST be in compliance with ALL local electrical and building codes.
- NEVER use an extension cord, 2-wire adapter, or change plug in ANY way to make it fit outlet. Be sure the opener is grounded.

**To avoid installation difficulties, do not activate the garage door opener at this time.**

To reduce the risk of electric shock, your garage door opener has a grounding type plug with a third grounding pin. This plug will only fit into a grounding type outlet. If the plug doesn't fit into your outlet, contact a qualified electrician to install the proper outlet.

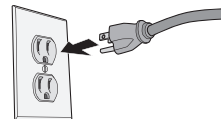


THERE ARE TWO OPTIONS FOR CONNECTING POWER:

### OPTION A - TYPICAL WIRING

1. Plug the garage door opener into a grounded outlet.
2. DO NOT run garage door opener at this time.

#### TYPICAL WIRING

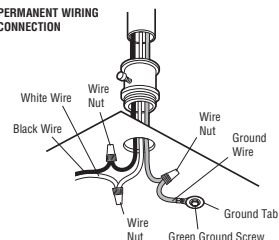


### OPTION B - PERMANENT WIRING

**If permanent wiring is required by your local code, refer to the following procedure. To make a permanent connection through the 7/8 inch hole in the top of the motor unit (according to local code):**

1. Be sure power is NOT connected to the opener, and disconnect power to the circuit.
2. Remove the motor unit cover screws and set the cover aside.
3. Cut the power cord 6 inch (15.2 cm) from the top of the garage door opener.
4. Remove the strain relief.
5. Pull the power cord wires back into the garage door opener.
6. Install conduit or flex cable adapter in the 7/8 inch hole.
7. Run the permanent wires through the conduit in the 7/8 inch hole. Strip the insulation from the ends of all wires.
8. Connect the black (line) wire to the existing black wire; the white (neutral) wire to the existing white wire; and the ground wire to the existing green ground wire with wire nut. The opener must be grounded.
9. Properly secure the wires with plastic ties so that the wires do not come in contact with moving parts.

#### PERMANENT WIRING CONNECTION

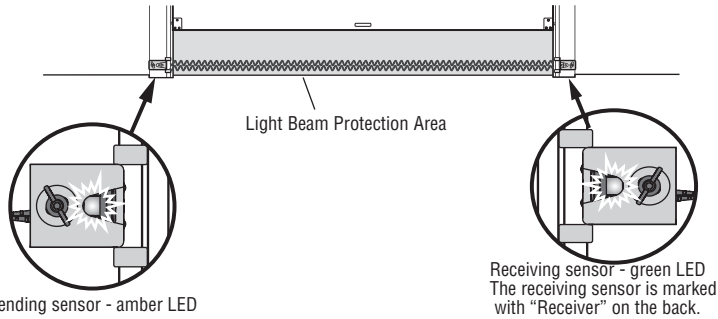


## Power (continued)

### 2 Align the Safety Reversing Sensors

**IMPORTANT:** The safety reversing sensors **MUST** be connected and aligned correctly before the garage door opener will move in the down direction.

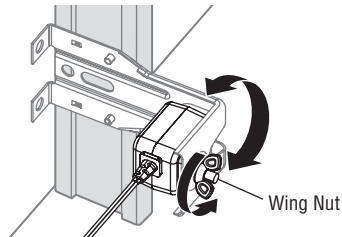
When the garage door opener has power, check the safety reversing sensors. If the sensors are aligned and wired correctly, both LEDs will glow steadily.



#### To align the safety reversing sensors:

1. Loosen the wing nuts.
2. Adjust the sensors up or down until both LEDs glow steady, indicating alignment.
3. Tighten the wing nut to secure the sensor.

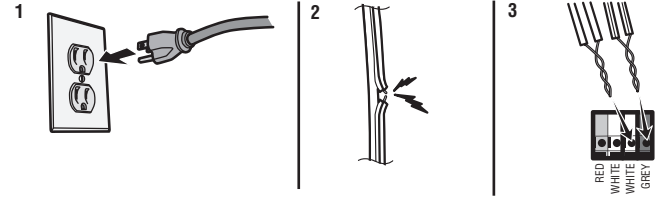
**TIP:** After tightening the wingnut, lightly wiggle the sensor brackets by hand without blocking the beam to ensure both LEDs remain glowing steady. If the receiving eye flashes while wiggling the brackets, adjust the sensor alignment until a solid LED glow is reached before proceeding.



### SAFETY SENSOR TROUBLESHOOTING

If either of the sensor LEDs are off, there is no power to the sensor:

1. Check that you have power to the garage door opener.
2. Check the sensor wire is not shorted or broken.
3. Check that the sensors are wired correctly; white wires to white terminal and white/black wires to gray terminal.



If the green receiving sensor LED is blinking, the sensors are obstructed or misaligned:

1. Check for obstructions in the sensor light beam.
2. Align the sensors.
3. If the receiving sensor (green LED) faces direct sunlight, switch the receiving sensor with the sending sensor and repeat 1. Install the Safety Reversing Sensors on page 21 to assure proper operation.

### 3 Ensure the Control Panel is Wired Correctly

If the control panel has been installed and wired correctly, the command LED behind the push bar will illuminate or the LCD display will illuminate.

# Adjustments

## 1 Program the Travel



### WARNING

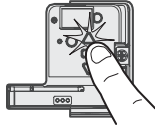
Without a properly installed safety reversal system, persons (particularly small children) could be **SERIOUSLY INJURED** or **KILLED** by a closing garage door.

- Incorrect adjustment of garage door travel limits will interfere with proper operation of safety reversal system.
- After ANY adjustments are made, the safety reversal system **MUST** be tested. Door **MUST** reverse on contact with 1-1/2" (3.8 cm) high object (or 2x4 laid flat) on floor.

While programming the travel, the UP and DOWN buttons can be used to move the door as needed. During the Automatic Force Setup, the door will automatically open and close.

**Note:** While programming the travel, the UP and DOWN buttons can be used to move the door as needed. During the Automatic Force Setup, the door will automatically open and close.

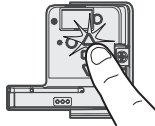
1. Press and hold the Adjustment button until the UP button begins to flash and/or a beep is heard.



2. Press and hold the UP button until the door is in the desired UP position.



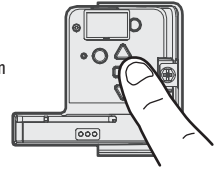
3. Once the door is in the desired UP position press and release the Adjustment button. The garage door opener lights will flash twice and the DOWN button will begin to flash.



4. Press and hold the DOWN button until the door is in the desired DOWN position.



5. Once the door is in the desired DOWN position press and release the Adjustment button. The garage door opener lights will flash twice. Program the Travel is now complete. If the garage door opener lights flash 5 times, then programming has timed out and the Travel Limits have not been set. Please restart the Program the Travel process.



## 2 Automatic Force Set Up

The opener will enter a force-sensing operation by automatically moving the door open and close. The garage door opener will sound an audible and visual alert before automatically opening and closing the door. The garage door opener will beep three times, confirming that the Automatic Force Setup completed successfully. Adjustment is complete.

If you hear one long beep after the door attempts to move, then the Automatic Force Set Up has not completed successfully. Please start over at step 1 of Program the Travel.



**NOTE:** If the travel/force setup process is not completed successfully any attempt to activate the opener from a remote/keyless entry or wall control will not work and the opener will flash the work lights 2 times.

## Adjustments (continued)

### 3 Test the Safety Reversal System

#### **WARNING**

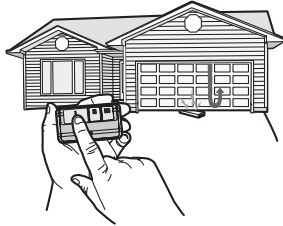
Without a properly installed safety reversal system, persons (particularly small children) could be SERIOUSLY INJURED or KILLED by a closing garage door.

- Safety reversal system MUST be tested every month.
- After ANY adjustments are made, the safety reversal system MUST be tested. Door MUST reverse on contact with 1-1/2" (3.8 cm) high object (or 2x4 laid flat) on the floor.

1. With the door fully open, place a 1-1/2" inch (3.8 cm) board (or a 2x4 laid flat) on the floor, centered under the garage door.



2. Press the remote control push button to close the door. The door MUST reverse when it makes contact with the board.



If the door stops but does not reverse:

1. Repeat Program the Travel (see Adjustment Step 1).

**NOTE:** Applying slightly more pressure to the door seal may allow the safety reversal systems to be set properly.

2. Repeat the Safety Reversal test.

If the test continues to fail, call a trained door systems technician.

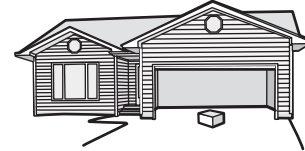
**NOTE:** It is normal for the trolley to slightly lift the rail with a properly set close limit. Ensuring the door is fully closed will provide the best opportunity for a successful Safety Reversal System test.

### 4 Test the Protector System®

#### **WARNING**

Without a properly installed safety reversal system, persons (particularly small children) could be SERIOUSLY INJURED or KILLED by a closing garage door.

1. Open the door. Place an obstruction in the path of the door.



2. Press the remote control push button to close the door. The door will not move more than an inch (2.5 cm).



The garage door opener will not close from a remote control if the LED in either safety reversing sensor is off or flashing (alerting you to the fact that the sensor is misaligned or obstructed).

# Battery Backup\*

## 1 Install the Battery

### WARNING

To reduce the risk of FIRE or INJURY to persons:

- Disconnect ALL electric and battery power BEFORE performing ANY service or maintenance.

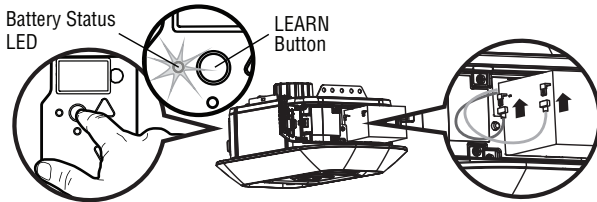
### CAUTION

ALWAYS wear protective gloves and eye protection when changing the battery or working around the battery compartment.

The 12V battery backup allows access in and out of your garage, even when the power is out. The battery does not have to be fully charged to operate the garage door opener. When the garage door opener is operating on battery power, it may run slower, and the following features are disabled:

- Garage door opener lights
- myQ® App control and monitoring
- Unattended close including Timer-to-Close

1. Unplug the garage door opener.
2. Use a Phillips head screwdriver to remove the side panel on the garage door opener.
3. Partially insert the battery into the battery compartment with the terminals facing out.
4. Connect red (+) and black (-) wires from the garage door opener to the corresponding terminals on the battery.
5. Replace the battery cover.
6. Plug in the garage door opener.
7. Wait for the green Battery Status LED to start flashing before proceeding to test the battery.

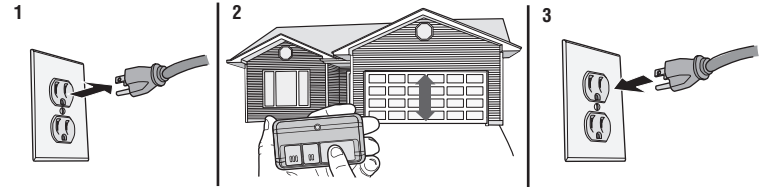


\* If applicable.

## 2 Test the Battery

Depending on the power level, the battery may need to charge before performing the test. The garage door opener must be unplugged to test the battery.

1. Open and close the door using the remote control or door control. While the motor is on, the battery status LED will either glow solid orange indicating opener is operating on battery power or will flash indicating low battery power.  
*NOTE: The garage door opener may run slower if the battery is not fully charged.*
2. Plug in the garage door opener. Verify the battery status LED is flashing green, indicating the battery is charging.



## 3 Charge the Battery

The battery charges when the garage door opener is plugged into a 120 Vac electrical outlet that has power and requires 24 hours to fully charge. A fully charged battery supplies 12 Vdc to the garage door opener for up to 24 hours of normal operation during an electrical power outage. After the electrical power has been restored, the battery will recharge within 24 hours. The battery will last approximately 1 to 2 years with normal usage.

Instructions for replacement are provided with the battery. To obtain maximum battery life and prevent damage, disconnect the battery when the garage door opener is unplugged for an extended period of time, such as a summer or winter home.

# Battery Backup\* (continued)

## Battery Status LED

### GREEN LED:

All systems are normal.

- A solid green LED light indicates the battery is fully charged.
- A flashing green LED indicates the battery is being charged.

### ORANGE LED:

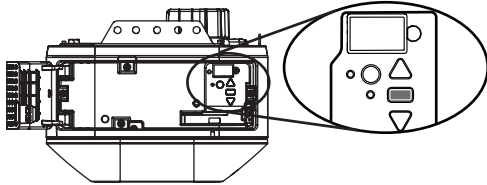
The garage door opener has lost power and is in battery backup mode.

- Solid orange LED while the motor is on indicates the garage door opener is operating on battery power.
- A flashing orange LED while the motor is on indicates the battery is low.
- The opener beeps every 2 seconds while operating on battery power.

### RED LED:

The battery needs to be replaced.

- A solid red LED with beep indicates the battery will no longer hold a charge. Purchase a replacement battery to allow your system to operate during a power outage.



\* If applicable.

# Important Safety Instructions



## To reduce the risk of SEVERE INJURY or DEATH:

1. READ AND FOLLOW ALL INSTALLATION WARNINGS AND INSTRUCTIONS.
2. ALWAYS keep remote controls out of reach of children. NEVER permit children to operate or play with garage control panel push buttons or remote controls.
3. ONLY activate garage door when it can be seen clearly, it is properly adjusted, and there are no obstructions to door travel.
4. ALWAYS keep garage door in sight and away from people and objects until completely closed. NO ONE SHOULD CROSS THE PATH OF THE MOVING DOOR.
5. NO ONE SHOULD GO UNDER A STOPPED, PARTIALLY OPENED DOOR.
6. If possible, use emergency release handle to disengage trolley ONLY when garage door is CLOSED. Use caution when using this release with the door open. Weak or broken springs or unbalanced door could result in an open door falling rapidly and/or unexpectedly and increasing the risk of SEVERE INJURY or DEATH.
7. NEVER use emergency release handle unless garage doorway is clear of persons and obstructions.
8. NEVER use handle to pull garage door open or closed. If rope knot becomes untied, you could fall.
9. After ANY adjustments are made, the safety reversal system MUST be tested.
10. Safety reversal system MUST be tested every month. Garage door MUST reverse on contact with 1-1/2" (3.8 cm) high object (or a 2x4 laid flat) on the floor. Failure to adjust the garage door opener properly increases the risk of SEVERE INJURY or DEATH.
11. ALWAYS KEEP GARAGE DOOR PROPERLY BALANCED (see page 4). An improperly balanced door may NOT reverse when required and could result in SEVERE INJURY or DEATH.
12. ALL repairs to cables, spring assemblies and other hardware, ALL of which are under EXTREME tension, MUST be made by a trained door systems technician.
13. To avoid interference with the proper operation of the garage door opener when using a welder in the garage, unplug garage door opener before operating welder.
14. This operator system is equipped with an unattended operation feature. The door could move unexpectedly. NO ONE SHOULD CROSS THE PATH OF THE MOVING DOOR.
15. DO NOT install on a one-piece door if using devices or features providing unattended close. Unattended devices and features are to be used ONLY with sectional doors.

## 16. SAVE THESE INSTRUCTIONS.

# Operation (continued)

## Features

Your garage door opener is equipped with features to provide you with greater control over your garage door operation.

### ALERT2CLOSE

The Alert2Close feature provides a visual and an audible alert that an unattended door is closing.

### TIMER-TO-CLOSE (TTC)\*-DOWNLOAD THE MYQ APP TO USE THIS FEATURE

The TTC feature automatically closes the door after a specified time period that can be adjusted using a TTC enabled control panel (Models L958W or L957W). Prior to and during the door closing the garage door opener lights will flash and the garage door opener will beep.

### MYQ APP (SEE PAGE 1 TO DOWNLOAD APP)

myQ® allows you to control and secure your garage door with your mobile device from anywhere. Connect your garage door opener to your Wi-Fi® network and access your myQ® account to get full control of your garage.

### THE PROTECTOR SYSTEM® (SAFETY REVERSING SENSORS)

When properly connected and aligned, the safety reversing sensors will detect an obstruction in the path of the infrared beam. If an obstruction breaks the infrared beam while the door is closing, the door will stop and reverse to full open position. If the door is fully open, and the safety reversing sensors are not installed, or are misaligned, the door will not close from a remote control. However, you can close the door if you hold the button on the control panel or keyless entry until the door is fully closed. The safety reversing sensors do not affect the opening cycle. For more information see page 21.

### LIGHTS

The garage door opener Integrated LED lights will turn on when the opener is initially plugged in; power is restored after interruption, or when the garage door opener is activated. The lights will turn off automatically after 4-1/2 minutes.

## USING YOUR GARAGE DOOR OPENER

When the door is closed and the garage door opener is activated the door will open. If the door makes contact with an obstruction while opening, the door will stop, opener beeps and lights flash 5 times. When the door is in any position other than closed and the garage door opener is activated, the door will close. If the garage door makes contact with an obstruction while closing, the door will reverse, opener beeps and lights flash 5 times.

The safety reversing sensors do not affect the opening cycle. The safety reversing sensor must be connected and aligned correctly before the garage door opener will move in the down direction.

However, you can close the door if you hold the button on the control panel or keyless entry until the door is fully closed.

### BATTERY BACKUP\*

The battery backup system allows access in and out of your garage, even when the power is out. When the garage door opener is operating on battery power, the garage door opener will run slower, the light will not function, the Battery Status LED will glow solid orange, and a beep will sound approximately every 2 seconds.

### CAMERA\*

Live stream what is happening in your garage with your garage door opener's built-in camera. Just connect your opener to Wi-Fi and set up an account with the myQ® App. For more information, see page 32.

\*If applicable.

# Operation (continued)

## Connect With Your Smartphone

### YOU WILL NEED:

- Wi-Fi® enabled smartphone, tablet, or laptop
- Broadband Internet connection
- Wi-Fi® signal in the garage (2.4 GHz, 802.11b/g/n required), see page 4
- Password for your home network (router's main account, not guest network)
- myQ® serial number located on the garage door opener
- 

### DOWNLOAD THE myQ® APP TO SET UP AN ACCOUNT AND CONNECT

Open and close your door, get alerts, and set schedules from anywhere. Connected smart garage door openers also receive software updates to ensure the opener has the latest operational features. The garage door opener must run through a complete cycle before it will activate Wi-Fi® programming.

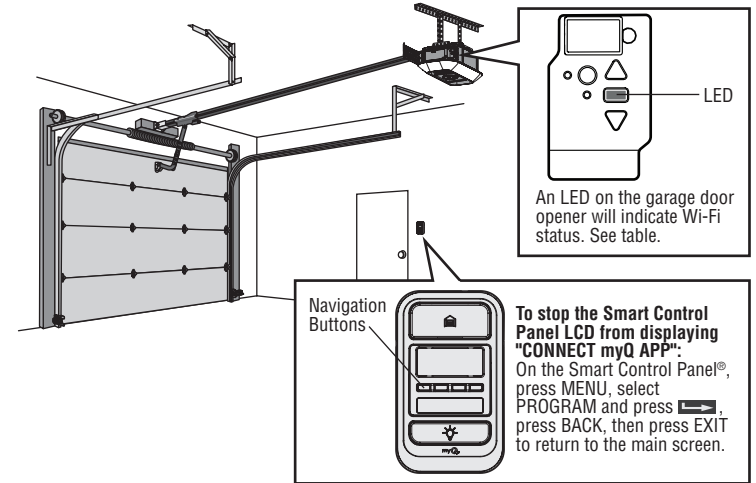
1. Download the myQ® App.
2. Set up an account and connect.

If you already have the myQ® App installed:

1. Check that your mobile device has the latest software.
2. Download the latest version of the myQ® App.



For more information on connecting your garage door opener, visit [support.chamberlaingroup.com](http://support.chamberlaingroup.com). Google Play and the Google Play logo are trademarks of Google LLC. App Store and the Apple and App Store logos are trademarks of Apple Inc.



Wi-Fi Status	
LED	Definition
Blue	<b>Off</b> - Wi-Fi® is not turned on. <b>Blinking</b> - Garage door opener is in Wi-Fi® learn mode. <b>Solid</b> - Mobile device connected to the garage door opener.
Blue and Green	<b>Blinking</b> - Attempting to connect to router.
Green	<b>Blinking</b> - Attempting to connect to the Internet server. <b>Solid</b> - Wi-Fi® has been set up and garage door opener is connected to the Internet.

#### NOTES:

myQ® App control WILL NOT work if the garage door opener is operating on battery power.

To erase the Wi-Fi settings, see page 36.

# Operation (continued)

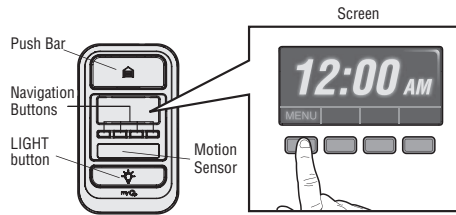
## Using the Control Panel

### SYNCHRONIZE THE CONTROL PANEL

To synchronize the control panel to the garage door opener, press the push bar until the garage door opener activates (it may take up to 3 presses). Test the control panel by pressing the push bar, each press of the push bar will activate the garage door opener.

**NOTE:** Your control panel may look different than the illustrations.

Up to 2 Smart Control Panels® or 4 of any other Security+ 2.0 control panels can be connected to the garage door opener.



### PUSH BAR

Press the push bar to open or close the door.

### NAVIGATION BUTTONS

Use the navigation buttons to make selections and program features.

### LIGHT BUTTON

Press the LIGHT button to turn the garage door opener lights on or off. When the lights are turned on, they will stay on for up to 3 hours unless one of the following occurs: the light button is pressed again to turn it off, or the garage door opener is activated to open or close the door. In the case of door operation, the light will turn off after the selected timer duration has elapsed (the factory setting is 4-1/2 minutes).

### SCREEN\*

The screen will display the time and temperature until the menu button is pressed, and then it will display the menu options. If there is a problem with the garage door opener the screen will display the Diagnostic Code. Refer to the Troubleshooting section.

### LEARN A DEVICE

Program compatible remote controls, wireless keyless entries, Wi-Fi garage door openers, or myQ® accessories to the garage door opener.

## LOCK

The LOCK feature is designed to prevent activation of the garage door opener from remote controls while still allowing activation from the control panel and keyless entry. This feature is useful for added peace of mind when the home is empty (i.e. vacation).

## TIMER-TO-CLOSE (TTC)\* – DOWNLOAD MYQ

DO NOT enable TTC if operating a one-piece door. TTC is to be used ONLY with sectional doors. Factory default is set to off. TTC can be set to automatically close your garage door from the fully open position after a specified period of time (1, 5, 10 minute intervals or a custom setting up to 99 minutes). The garage door opener will **Beep** and the lights will **Flash** before closing the door. The screen on the control panel can display the status of the TTC. TTC WILL NOT work if the garage door opener is operating by battery power or if the safety reversing sensors are misaligned. This feature is NOT intended to be the primary method of closing the door. **A keyless entry should be installed in the event of an accidental lock out when using this feature.**

## AUTOMATIC LIGHT

### Motion Sensor \*

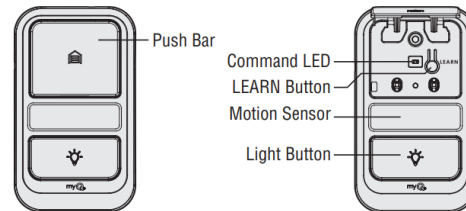
Factory default is set to on. This feature automatically turns on the garage door opener lights when motion is sensed. The lights will come on for the set period of time, then shut off. If using the garage door opener light as a work light disable the motion sensor, otherwise the light will turn off automatically if you are beyond the range of the sensor.

## MAINTENANCE ALERT (MAS)

This feature assists the homeowner in ensuring the garage door opener system stays in good working condition. When the garage door opener needs to be serviced (approximately 4500 garage door opener cycles) the command (yellow) and service (red) LEDs will begin to alternately flash back and forth. The factory setting for the MAS feature is off and can be activated at time of installation. Contact your installing dealer for service.

\*If applicable

## MOTION-DETECTING CONTROL PANEL L957W - MODEL 6580

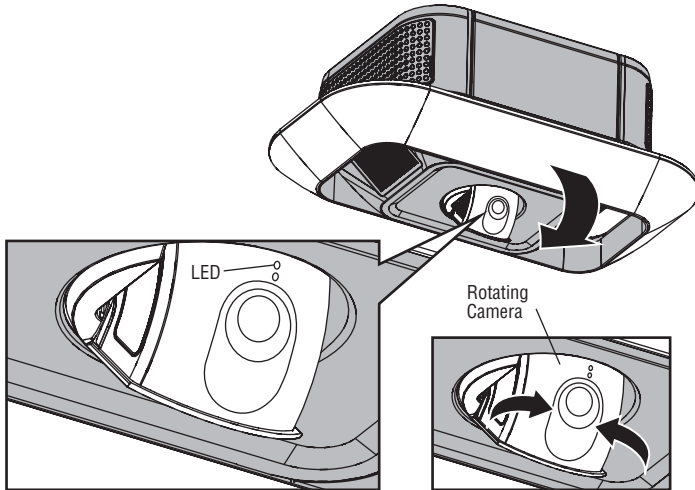


## Operation (continued)

### Set Up the Camera - Models 6690, 6580, 4690

1. Download the myQ® app and setup your account if you haven't already, see page 32.
2. Follow the instructions in the app to setup and use the camera.

The camera powers up when it is opened and powers down when closed.



Camera Status	
LED	Definition
Flashing Blue	Camera is attempting to connect to the mobile device.
Solid Blue	Camera is connected to the mobile device.
Flashing Blue and Green	Camera is attempting to connect to the router.
Flashing Green	Camera is connected to the router and attempting to connect to myQ® server.
Solid Green	Camera is connected and working normally.
Solid White	Camera is powering up.
Flashing Red	Camera is overheating
Flashing Purple	Camera firmware is updating.

# Operation (continued)

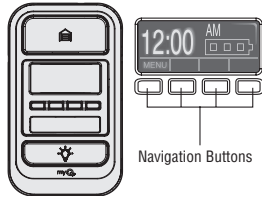
## Using the Smart Control Panel®\*

### SETUP

The features on the control panel can be programmed through a series of menus on the screen and the navigation buttons. Refer to the descriptions below.

### SCREEN

The main screen displays the time, temperature, and current battery charge (if applicable).



### FEATURES

Press the navigation button below "MENU" to view the Features menu.

The screenshot shows the Features menu with options: CLOCK SETUP, TTC OFF, LOCK DISABLED, PROGRAM, and EXIT. Below the screen are four navigation buttons. Callouts provide instructions for each option.

- CLOCK SETUP:** Set the time, choose 12 or 24 hour clock and show/hide clock.
- TTC OFF:** For sectional doors ONLY. Set the Timer-to-Close feature off/on and set the time interval before door closes. **NOTE: DO NOT enable TTC if operating a one-piece door. TTC is to be used ONLY with sectional doors.**
- LOCK DISABLED:** Enable/disable lock.
- PROGRAM:** Set up Wi-Fi\*, add remote controls, myQ® devices, an extra remote button to control your garage door opener lights, or a keyless entry.

\* The garage door opener must run through a complete cycle before it will activate Wi-Fi® programming.

### SETTINGS

Press the navigation button below the down arrow till you see TEMPERATURE to view the Settings menu.

The screenshot shows the Settings menu with options: TEMPERATURE, LANGUAGE ENGLISH, LIGHT SETTINGS, CONTRAST ADJUST 50, and EXIT. Below the screen are four navigation buttons. Callouts provide instructions for each option.

- TEMPERATURE:** Display the temperature in Fahrenheit or Celsius and show/hide the temperature.
- LANGUAGE ENGLISH:** Select a language.
- LIGHT SETTINGS:** Set duration for garage door opener light to stay on after operation, selectable range of 1-1/2 to 4-1/2 minutes. Turn the Motion sensor off/on, and turn the entry light feature off/on.
- CONTRAST ADJUST 50:** Adjust the contrast of the screen.

### SERVICE

Press and hold the LIGHT button, then press the second navigation button to view the Service menu.

The screenshot shows the Service menu with options: SOFTWARE REVISION, CYCLE COUNT, TRANSMITTERS, DISPLAY ERROR, and EXIT. Below the screen are four navigation buttons. Callouts provide instructions for each option.

- SOFTWARE REVISION:** Displays software version information.
- CYCLE COUNT:** Turn the Maintenance Alert (MAS) on/off.
- TRANSMITTERS:** Displays the number of remote controls, myQ® devices, control panels, and keyless entries currently programmed to operate the garage door opener.
- DISPLAY ERROR:** Displays any errors that have occurred.

### Remote Control

Your remote control has been programmed at the factory to operate with your garage door opener.

### TO ADD, REPROGRAM, OR CHANGE A REMOTE CONTROL/KEYLESS ENTRY PIN USING THE CONTROL PANEL

1. Press the navigation button below "MENU" to view the Features menu.
2. Use the navigation buttons to scroll to "PROGRAM".
3. Select "REMOTE" or "KEYPAD" to program from the program menu.
4. **Remote Control:** Press the button on the remote control that you wish to operate your garage door. **Keyless Entry:** Enter a 4 to 8 digit personal identification number (PIN) of your choice on the keyless entry keypad. Then press the HOME button.

The garage door opener lights will flash (or two clicks will be heard) when the code has been programmed. Repeat the steps above for programming additional remote controls or keyless entry devices. If programming is unsuccessful, program the remote using the learn button.

The diagram shows four steps for programming:

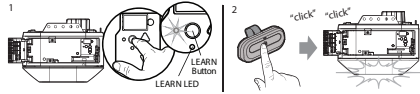
1. Press the navigation button below "MENU" to view the Features menu.
2. Press the right arrow to continue.
3. Press the right arrow to continue.
4. Press the button on the remote control that you wish to operate your garage door. OR Press the ? ? ? ? buttons on the keyless entry keypad.

# Operation (continued)

## PROGRAM USING THE GARAGE DOOR OPENER LEARN BUTTON

1. Locate the LEARN button.
2. Press and immediately release the LEARN button. The LEARN LED will glow steady for 30 seconds.
3. Remote Control: Press and hold the button on the remote control that you wish to use. Keyless Entry: Enter a 4 to 8 digit personal identification number (PIN) of your choice on the keyless entry keypad. Then press and hold the HOME button.

Release the button when the garage door opener lights blink or two clicks are heard.



## TO ADD A REMOTE CONTROL OR KEYLESS ENTRY USING THE MOTION DETECTION CONTROL PANEL

1. Lift the push bar. Press the LEARN button twice (after the second press, the LED on the door control panel will pulse repeatedly).
- 2a. Within 30 seconds, press and hold the button on the remote control that you wish to use. Release the button when the garage door opener lights flash and/or two clicks are heard.
- 2b. Within 30 seconds, enter a 4–8 digit personal identification number (PIN) of your choice. Press and hold the HOME button until the garage door opener lights flash and/or two clicks are heard.

**TEST FOR SUCCESS:** To open the garage door opener, press the remote button you programmed. The garage door should activate. If it does not, repeat the programming steps. Alternatively, with the garage door closed, enter the PIN you programmed, and press the HOME button. The garage door will then open. If it does not open, repeat the programming steps.

## To Erase the Memory

### ERASE ALL REMOTE CONTROLS AND KEYLESS ENTRIES

1. Press and hold the LEARN button on garage door opener until the learn LED goes out (approximately 6 seconds). All remote control and keyless entry codes are now erased. Reprogram any accessory you wish to use.

### ERASE ALL DEVICES INCLUDING myQ® ENABLED ACCESSORIES

1. Press and hold the LEARN button on garage door opener until the learn LED goes out (approximately 6 seconds).
2. Immediately press and hold the LEARN button again until the learn LED goes out. All codes are now erased. Reprogram any accessory you wish to use.

### ERASE THE CONNECTION FROM GARAGE DOOR OPENER TO HOME Wi-Fi® NETWORK

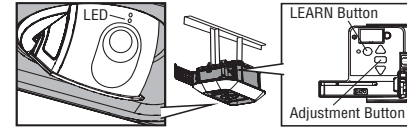
1. Press and hold the black adjustment button on the garage door opener until 3 beeps are heard (approx. 6 seconds).



## ERASE THE CAMERA SETTINGS

1. Press and hold black adjustment button on the garage door opener until 3 beeps are heard (approximately 6 seconds). The LED light will turn off, then flash red.

You will need to setup both the garage door opener and camera again after resetting it.



## To Open the Door Manually

### WARNING

To prevent possible **SERIOUS INJURY** or **DEATH** from a falling garage door:

- If possible, use emergency release handle to disengage trolley **ONLY** when garage door is **CLOSED**. Weak or broken springs or unbalanced door could result in an open door falling rapidly and/or unexpectedly.
- **NEVER** use emergency release handle unless garage doorway is clear of persons and obstructions.
- **NEVER** use handle to pull door open or closed. If rope knot becomes untied, you could fall.

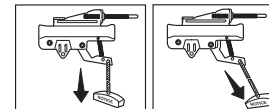
## DISCONNECT THE TROLLEY

1. The door should be fully closed if possible.
2. Pull down on the emergency release handle.

## RECONNECT THE TROLLEY

The lockout feature prevents the trolley from reconnecting automatically.

1. Pull the emergency release handle down and back (toward the opener). The door can then be raised and lowered manually as often as necessary.
2. To disengage the lockout feature, pull the handle straight down. The trolley will reconnect on the next UP or DOWN operation, either manually or by using the control panel or remote control.



# Maintenance

## Maintenance Schedule

### EVERY MONTH

- Manually operate door. If it is unbalanced or binding, call a trained door systems technician.
- Check to be sure door opens and closes fully. Adjust if necessary, see page 26.
- Test the safety reversal system. Adjust if necessary, see page 27.

### EVERY YEAR

- Oil door rollers, bearings and hinges. The garage door opener does not require additional lubrication. Do not grease the door tracks.
- Test the battery and consider replacing the battery to ensure the garage door opener will operate during an electrical power outage, see page 28 to test the battery backup.

### EVERY TWO TO THREE YEARS

- Use a rag to wipe away the existing grease from the garage door opener rail. Reapply a small layer of white lithium grease to the top and underside of the rail surface where the trolley slides.

*NOTICE: This device complies with part 15 of the FCC rules and Innovation, Science and Economic Development Canada license exempt RSSs. Operation is subject to the following two conditions: (1) this device may not cause harmful interference, and (2) this device must accept any interference received, including interference that may cause undesired operation. Any changes or modifications not expressly approved by the party responsible for compliance could void the user's authority to operate the equipment.*

This device has been tested and found to comply with the limits for a Class B digital device, pursuant to part 15 of the FCC rules and Industry Canada ICES standard. These limits are designed to provide reasonable protection against harmful interference in a residential installation. This equipment generates, uses and can radiate radio frequency energy and, if not installed and used in accordance with the instructions, may cause harmful interference to radio communications. However, there is no guarantee that interference will not occur in a particular installation. If this equipment does cause harmful interference to radio or television reception, which can be determined by turning the equipment off and on, the user is encouraged to try to correct the interference by one or more of the following measures:

- Reorient or relocate the receiving antenna.
- Increase the separation between the equipment and receiver.
- Connect the equipment into an outlet on a circuit different from that to which the receiver is connected.
- Consult the dealer or an experienced radio/TV technician for help..

## The Remote Control Battery

### WARNING

To prevent possible **SERIOUS INJURY** or **DEATH**:

- NEVER allow small children near batteries.
- If battery is swallowed, immediately notify doctor.

To reduce risk of fire, explosion or chemical burn:

- Replace **ONLY** with 3V CR2032 coin batteries.
- **DO NOT** recharge, disassemble, heat above 212°F (100°C) or incinerate..

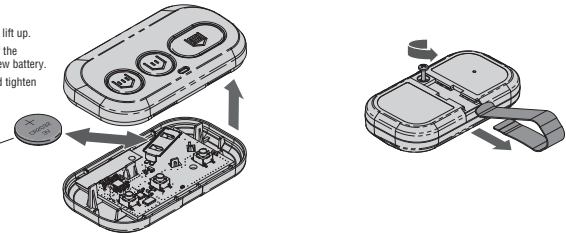
Unscrew captive screw.

Pry open top housing and lift up.

Remove old battery out of the holder and replace with new battery.

Re-attach top housing and tighten captive screw.

Replace with only 3V CR2032 coin cell battery.



# Troubleshooting

## Diagnostic Chart

Your garage door opener is programmed with self-diagnostic capabilities. The UP and DOWN arrows on the garage door opener flash the diagnostic codes.

Diagnostic Code		Symptom	Solution
Up Arrow Flash (es)	Down Arrow Flash (es)		
1	1	The garage door opener will not close.	Safety reversing sensors are not installed, connected, or wires may be cut. Inspect sensor wires for a disconnected or cut wire.
1	2	The garage door opener will not close.	There is a short or reversed wire for the safety reversing sensors. Inspect safety sensor wire at all staple and connection points, replace wire or correct as needed.
1	3	The control panel will not function.	The wires for the control panel are shorted or the control panel is faulty. Inspect control panel wires at all staple and connection points, replace wire or correct as needed.
1	4	The garage door opener will not close.	Safety reversing sensors are misaligned or were momentarily obstructed. Realign both sensors until both LEDs are glowing steady. Make sure nothing is hanging or mounted on the door that would interrupt the sensor's path while closing.
1	5	Door moves 6-8" (15-20 cm) stops or reverses.	Manually open and close the door. Check for binding or obstructions, such as a broken spring or door lock, correct as needed. Check wiring connections at travel module and at the logic board. Replace travel module if necessary.
		No movement, only a single click.	Manually open and close the door. Check for binding or obstructions, such as a broken spring or door lock, correct as needed. Replace logic board if necessary.
		Opener hums for 1-2 seconds no movement.	Manually open and close the door. Check for binding or obstructions, such as a broken spring or door lock, correct as needed. Replace motor if necessary.
2	1-5	No movement, or sound.	Replace logic board.
3	2	Unable to set the travel or retain position.	Check travel module for proper assembly, replace if necessary.
3	3	The battery status LED is constantly flashing green.	Battery backup charging circuit error, replace the logic board.
4	1-4	Door is moving, stops or reverses. Opener beeps and lights flash.	Manually open and close the door. Check for binding or obstructions, such as a broken spring or door lock, correct as needed. If the door is binding or sticking, contact a trained door systems technician. If door is not binding or sticking attempt to reprogram travel (refer to 26).
4	5	Opener runs approximately 6-8" (15-20 cm), stops and reverses.	Communication error to travel module. Check travel module connections, replace travel module if necessary.
4	6	The garage door opener will not close.	Safety reversing sensors are misaligned or were momentarily obstructed. Realign both sensors to ensure both LEDs are steady and not flickering. Make sure nothing is hanging or mounted on the door that would interrupt the sensor's path while closing.

# Troubleshooting (continued)

---

## **THE GARAGE DOOR OPENER WILL NOT ENTER WI-FI® LEARN MODE:**

- After the initial installation of the garage door opener, the garage door opener must complete a full cycle (open and closed) before the Wi-Fi® learn mode can be activated.
- If there has been a recent power outage, the garage door opener must complete a full cycle before the Wi-Fi® LEARN MODE can be activated.

## **CANNOT CONNECT GARAGE DOOR OPENER TO HOME WI-FI® NETWORK:**

- Ensure the myQ® Serial number was entered correctly and try again. The myQ® characters are between AF and 0-9 only.
- Weak Wi-Fi® signal in the garage. Ensure the Wi-Fi® signal is reaching the garage, or visit [support.chamberlaingroup.com](http://support.chamberlaingroup.com) for more information.

## **MY DOOR WILL NOT CLOSE AND THE WORK LIGHTS FLASH 10 TIMES:**

- The safety reversing sensor must be connected and aligned correctly before the garage door opener will move in the down direction.
  - Verify the safety reversing sensors are properly installed, aligned and free of any obstructions.
  - If the receiving sensor (green LED) faces direct sunlight, switch the receiving sensor with the sending sensor so the receiving sensor is not in direct sunlight.

## **LEDS ARE NOT WORKING:**

Check wiring on both Integrated LED Light Modules to connector. If loose, then reconnect. If the lights do not turn on, a new Integrated LED Light Module may be needed. Visit support page or certified door professional to determine if a new Integrated LED Light Module is needed.

## **MY NEIGHBOR'S REMOTE CONTROL OPENS MY GARAGE DOOR:**

Erase the memory from your garage door opener and reprogram the remote control(s).

## **MY VEHICLE'S HOMELINK® IS NOT PROGRAMMING TO MY GARAGE DOOR OPENER:**

This opener is compatible with HomeLink versions 4, 5 and 6. HomeLink programming and support can be obtained by contacting HomeLink directly at 1-800-355-3515 or by visiting their website at [www.HomeLink.com](http://www.HomeLink.com).

## **MY CAMERA WON'T CONNECT TO THE ROUTER:**

- Move your router closer to the garage door opener to minimize interference from walls and other objects.
- Buy a Wi-Fi® range extender.

For issues with the camera, press and hold the reset button on the camera for 10 seconds. Then, follow the myQ® app instructions to set up the camera.

# Accessories

**L979M**

**MAX Wireless Keyless Entry:**

For use outside of the home to enable access to the garage using a 4-digit PIN. Works with ALL LiftMaster openers from 1997-present. Download the myQ app for more information.



**L993M**

**3-Button MAX Remote Control:**

Compatible with LiftMaster garage door openers manufactured since 1997. Includes visor clip.



**L957W**

**Motion Detecting Control Panel:**

Multi-function control panel with motion sensor that automatically turns opener lights on when it detects a person entering the garage. Security+ 3.0 and Wi-Fi compatible.



**L958W**

**Smart Control Panel:**

Displays temperature, time and system diagnostics; includes a push bar to open and close the door and a lock feature for extra security. Security+ 3.0 and Wi-Fi compatible.



**L991S**

**1-Button STD Remote Control:**

Compatible with Security+ 3.0 devices.



**L956W**

**Multi-Function Control Panel:**

Compatible with Security+ 3.0 openers.



**L992U**

**Universal Remote Control:**

The Universal Remote Control can be programmed to activate up to two products, such as a garage door opener, gate operator, or commercial door operator. Compatible with LiftMaster garage door openers manufactured since 1997. Includes visor clip.



# Warranty

LiftMaster® (“Seller”) warrants to the first retail purchaser of this product, for the residence in which this product is originally installed, that it is free from defects in materials and/or workmanship for a specific period of time as defined below (the “Warranty Period”). The warranty period commences from the date of purchase

Warranty Period							
Models	Parts	Motor	Accessories	Belt	Battery Backup	Integrated LED	Camera
6580	1 year	6 years	1 year	6 years	1 year	1 year	1 year
4690	5 years	Lifetime	1 year	Lifetime	1 year	5 years	1 year
6690	5 years	Lifetime	1 year	Lifetime	1 year	5 years	1 year

The proper operation of this product is dependent on your compliance with the instructions regarding installation, operation, and maintenance and testing. Failure to comply strictly with those instructions will void this limited warranty in its entirety.

**ALL IMPLIED WARRANTIES FOR THE PRODUCT, INCLUDING BUT NOT LIMITED TO ANY IMPLIED WARRANTIES OF MERCHANTABILITY AND FITNESS FOR A PARTICULAR PURPOSE, ARE LIMITED IN DURATION TO THE APPLICABLE LIMITED WARRANTY PERIOD SET FORTH ABOVE FOR THE RELATED COMPONENT(S), AND NO IMPLIED WARRANTIES WILL EXIST OR APPLY AFTER SUCH PERIOD. Some states and provinces do not allow limitations on how long an implied warranty lasts, so the above limitation may not apply to you. THIS LIMITED WARRANTY DOES NOT COVER NON-DEFECT DAMAGE, DAMAGE CAUSED BY IMPROPER INSTALLATION, OPERATION OR CARE (INCLUDING, BUT NOT LIMITED TO ABUSE, MISUSE, FAILURE TO PROVIDE REASONABLE AND NECESSARY MAINTENANCE, UNAUTHORIZED REPAIRS OR ANY ALTERATIONS TO THIS PRODUCT), LABOR CHARGES FOR REINSTALLING A REPAIRED OR REPLACED UNIT, REPLACEMENT OF CONSUMABLE ITEMS (E.G., BATTERIES IN REMOTE CONTROL TRANSMITTERS), OR UNITS INSTALLED FOR NONRESIDENTIAL USE. THIS LIMITED WARRANTY DOES NOT COVER ANY PROBLEMS WITH, OR RELATING TO, THE GARAGE DOOR OR GARAGE DOOR HARDWARE, INCLUDING BUT NOT LIMITED TO THE DOOR SPRINGS, DOOR ROLLERS, DOOR ALIGNMENT OR HINGES. THIS LIMITED WARRANTY ALSO DOES NOT COVER ANY PROBLEMS CAUSED BY INTERFERENCE. UNDER NO CIRCUMSTANCES SHALL SELLER BE LIABLE FOR CONSEQUENTIAL, INCIDENTAL OR SPECIAL DAMAGES ARISING IN CONNECTION WITH USE, OR INABILITY TO USE, THIS PRODUCT. IN NO EVENT SHALL SELLER'S LIABILITY FOR BREACH OF WARRANTY, BREACH OF CONTRACT, NEGLIGENCE OR STRICT LIABILITY EXCEED THE COST OF THE PRODUCT COVERED HEREBY. NO PERSON IS AUTHORIZED TO ASSUME FOR US ANY OTHER LIABILITY IN CONNECTION WITH THE SALE OF THIS PRODUCT.**

Some states and provinces do not allow the exclusion or limitation of consequential, incidental or special damages, so the above limitation or exclusion may not apply to you. This limited warranty gives you specific legal rights, and you may also have other rights, which vary from state to state and province to province.

# Automatic Garage Door Opener Safety & Maintenance Guide

## Garage Door Opener Safety – An Automatic Decision

A garage door is the largest moving object in the home. An improperly adjusted garage door and opener can exert deadly force when the door closes – which could lead to entrapment of children or adults and subsequent injury or death.

Proper installation, operation, maintenance, and testing of the garage door and automatic opener are necessary to provide a safe, trouble-free system. Careless operation or allowing children to play with or use garage door opener controls are also dangerous situations that can lead to tragic results. A few simple precautions can protect your family and friends from potential harm. Please review the safety and maintenance tips in this guide carefully and keep it for reference. Check the operation of your garage door and opener to ensure they function in a safe and trouble-free manner. Be sure to read all Important Safety Information found in your garage door opener's manual as it provides more details and safety considerations than can be supplied with this guide.

## Garage Door Openers are Not Toys

Discuss garage door and opener safety with your children. Explain the danger of being trapped under the door.



**Stay away from a moving door.**



**The wall-mounted push button should be out of reach of children**, at least 5 feet from the nearest standing surface and away from all moving parts. Mount and use the button where you can clearly see the closing garage door.



**Keep transmitters and remote controls out of reach of children.** Do not let children play with or use transmitters or other remote control devices.



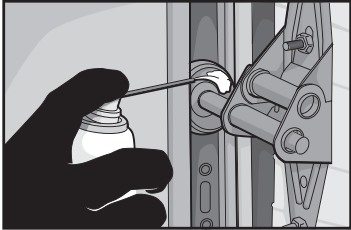
**Keep the door in sight until it completely closes** when using the wall-mounted push button or transmitter.

# Routine Maintenance Can Prevent Tragedies

Make monthly inspection and testing of your garage door and opener system a part of your regular routine. Review your owner's manual for both the door and door opener. If you don't have the owner's manuals, contact the manufacturer(s) and request a copy for your specific model(s). Look for the opener model number on the back of the power unit.

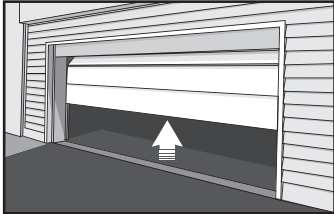
## **WARNING**

Springs are under high tension. Do not loosen or adjust any bottom brackets, red colored fasteners, cables, or supports. Only trained door system technicians should adjust these components.



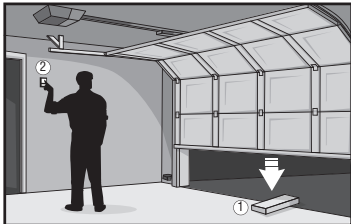
### **Visually check the door and installation:**

- Starting with the door in the closed position, use the manual disconnect on the opener to disconnect the door.
- Look for signs of wear or damage on hinges, rollers, springs, and door panels.
- These parts may require periodic lubrication. Check the owner's manual for suggested maintenance.
- If any signs of damage are evident, contact a trained door systems technician for assistance.
- Verify the photoeye height is no higher than 6" from the garage floor.



### **Test the door for proper operation:**

- Open and close the door manually using handles or suitable gripping points.
- The door should move freely and without difficulty.
- **The door should balance and stay partially open 3–4 feet above the floor.**
- If you detect any signs of improper operation, contact a trained door systems technician for assistance.



### **Test the opener safety features:**

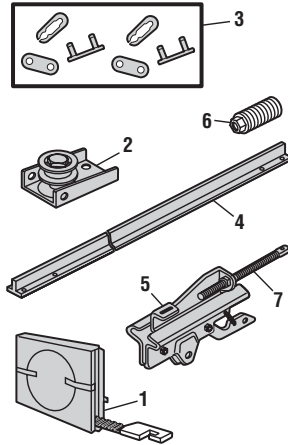
- Reconnect the opener to the door using the manual disconnect and open the door.
- Place a 2x4 board flat in the path of the door (1) and try to close it (2). The door should stop when it comes in contact with the 2x4 and then reverse direction.
- Block the photoelectric sensor by waving an object in front of the sensor and attempt to close the door. The door should not close unless the wall-mounted push button is manually held during operation.
- If the opener does not perform as described, contact a trained door systems technician for assistance.



# Repair Parts

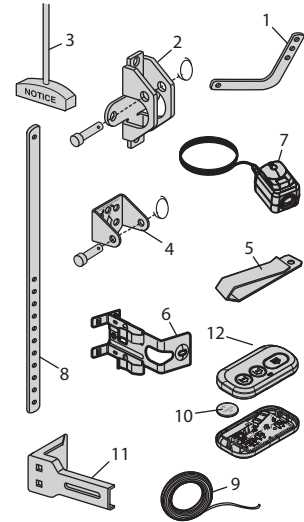
## Rail Assembly Parts 6690

Description		Part Number
1	Belt - for 7 foot door Belt - for 8 foot door Belt - for 10 foot door	041A5434-11A 041A5434-13A 041A5434-14A
2	Belt Pulley Bracket	041B5424
3	Master link	004A1008
4	One-Piece Rail 7 feet (2.1 m) One-Piece Rail 8 feet (2.4 m) One-Piece Rail 10 feet (3 m)	2777BD 2778BD 2770BD
5	Trolley Assembly Includes: Master Link (2), Clevis Pin (1), Ring (1), Belt Clip (1), Threaded Shaft (1), and Tensioner Assembly (1)	041B3869-3A
6	Belt Tensioner Kit	041B4103
7	Trolley Threaded Shaft	041A6689



## Installation Parts

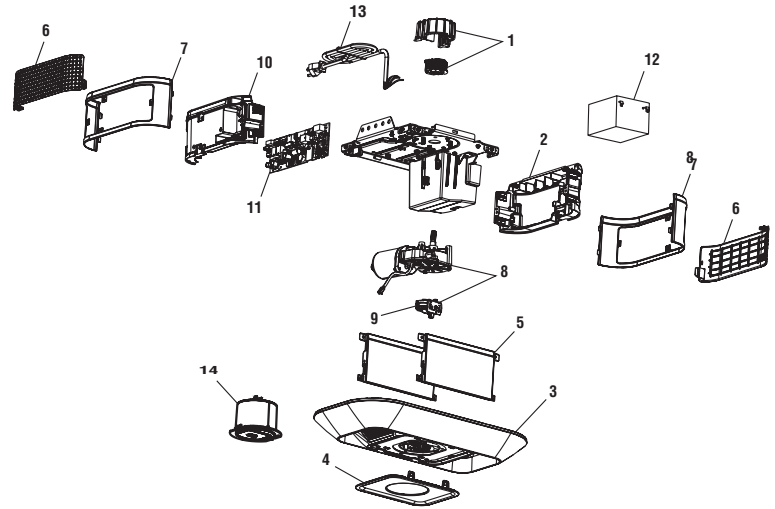
Description		Part Number
1	Curved door arm	041B0035B
2	Door bracket with clevis pin and fastener	041A5047-1
3	Emergency release rope and handle	041A2828
4	Header bracket with clevis pin and fastener	041A4353-1
5	Remote control visor clip	
6	Safety sensor bracket	041-0136-000
7	Safety sensor kit with receiving and sending sensors with 3 feet (.9 m) 2- conductor wire	041-0136
8	Straight door arm	4178B0034B
9	White and red/white wire	041B4494-1
10	3V CR2032 lithium battery	K010A0020
11	Extension bracket (optional)	041A5281-1
<b>Not Shown</b>		
Installation hardware bag		041A2770-17
User's Guide		
Owner's Manual		



## Repair Parts (continued)

### Garage Door Opener Parts Model 6690

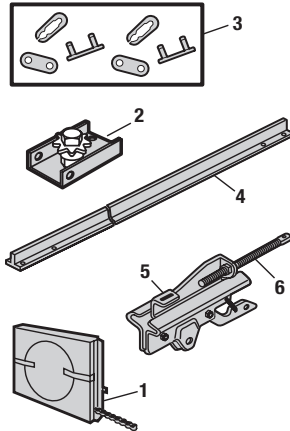
	Description	Part Number
1	Belt Cap Retainer Kit	041C1751
2	End panel	041-0185-000
3	Integrated LED Light Module	041-0502-000
4	Badge with camera	041-0501-000
5	Main Enclosure Cover	041-0190-000
6	Control door panel	041-0192-000
7	End panel cover	041-0193-000
8	Motor with travel module	041-0236-000
9	Travel Module	041D8071-4
10	Logic board end panel	041-0503-000
11	Logic board	030DCT
12	Backup battery	485LM
13	Line cord	041-0505-000
14	Camera	041-0506-000
	<b>Not Shown</b>	
	Wire harness	041-0507-000
	Camera wire harness	041-0508-000
	Transformer	041-0509-000



# Repair Parts (continued)

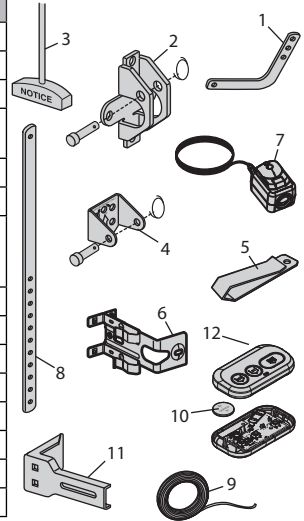
## Rail Assembly Parts Models 4690L

Description	Part Number
1 Chain - for 7 foot door Chain - for 8 foot door Chain - for 10 foot door Chain - for 12 foot door Chain - for 14 foot door	041D3484 041D3483 041D3485 19-5812 19-5814
2 Chain Pulley Bracket	041A2780
3 Master link	004A1008
4 One - piece rail 7 feet One - piece rail 8 feet One - piece rail 10 feet One - piece rail 12 feet One - piece rail 14 feet	3707CH 3708CH 3710CH 3712RV 3714RV
5 Trolley Assembly Includes: Master Link (1), Clevis Pin (1), Ring (1), Threaded Shaft (1), and Nuts (2)	041A3489
6 Trolley Threaded Shaft	K109B0018



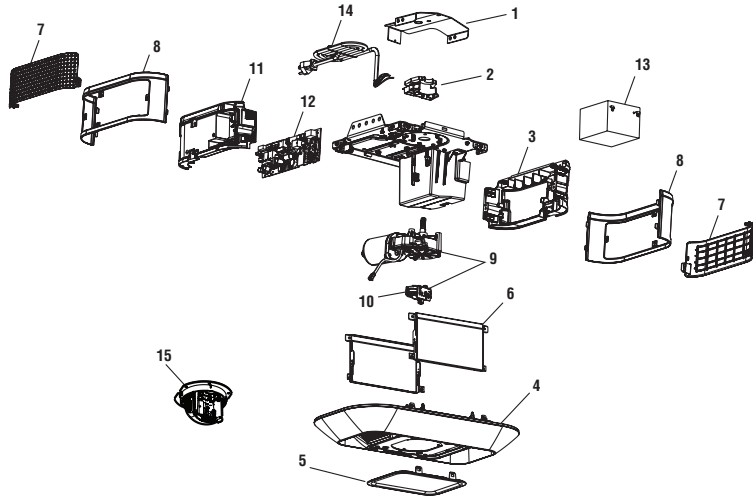
## Installation Parts

Description	Part Number
1 Curved door arm	041B0035B
2 Door bracket with clevis pin and fastener	041A5047-1
3 Emergency release rope and handle	041A2828
4 Header bracket with clevis pin and fastener	041A4353-1
5 Remote control visor clip	041-0494-000
6 Safety sensor bracket	041-0155-000
7 Safety sensor kit with receiving and sending sensors with 3 feet (.9 m) 2-conductor wire	041-0136
8 Straight door arm	4178B0034B
9 White and red/white wire	041B4494-1
10 3V CR2032 lithium battery	K010A0020
11 Extension bracket (optional)	041A5281-1
12 Remote Control	L993M
<b>Not Shown</b>	
Smart Control Panel	L958W
Installation hardware bag	041A2770-17



## Repair Parts (continued)

### Garage Door Opener Parts Model 4690

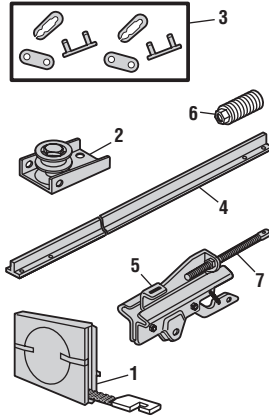


	Description	Part Number
1	Chassis Support Bracket	041C5069
2	Chain Spreader & Sprocket	041-0035
3	End Panel, Battery Access	041-0500-000
4	Integrated LED Light Module	041-0502-000
5	Badge with Camera	041-0501-000
6	Main Enclosure Cover	041-0190-000
7	Control Door Panel	041-0192-000
8	End panel cover	041-0193-000
9	Motor with travel module	041-0236-000
10	Travel Module	041D8071-4
11	Logic board end panel	041-0503-000
12	Logic board	030DCT
13	Backup battery	485LM
14	Line cord	041-0505-000
15	Camera	041-0506-000
	<b>Not Shown</b>	
	Wire harness	041-0507-000
	Transformer	041-0509-000

# Repair Parts (continued)

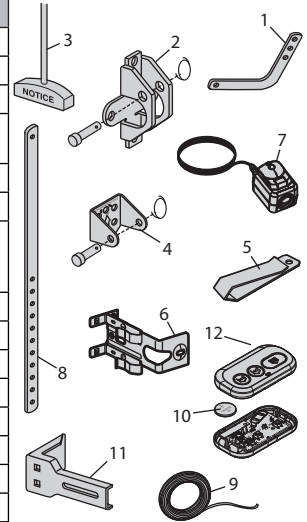
## Assembly Parts Model 6580L

Description	Part Number
1 Belt - for 7 foot door Belt - for 8 foot door Belt - for 10 foot door	041A5434-11A 041A5434-13A 041A5434-14A
2 Belt Pulley Bracket	041B5424
3 Master link	004A1008
4 One-Piece Rail 7 feet (2.1 m) One-Piece Rail 8 feet (2.4 m) One-Piece Rail 10 feet (3 m)	2777BD 2778BD 2770BD
5 Trolley Assembly Includes: Master Link (2), Clevis Pin (1), Ring (1), Belt Clip (1), Threaded Shaft (1), and Tensioner Assembly (1)	041B3869-3A
6 Spring Trolley Nut	041B4103
7 Trolley Threaded Shaft	041A6689



## Installation

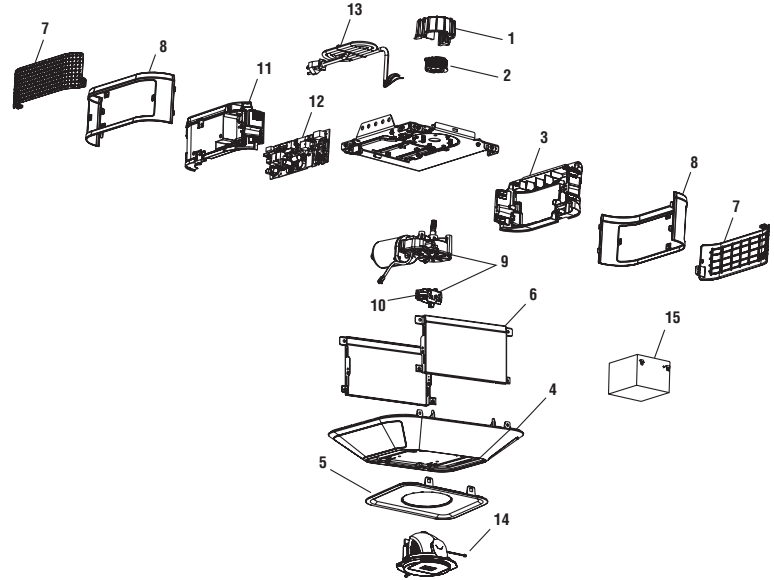
Description	Part Number
1 Curved door arm	041B0035B
2 Door bracket with clevis pin and fastener	041A5047-1
3 Emergency release rope and handle	041A2828
4 Header bracket with clevis pin and fastener	041A4353-1
5 Remote control visor clip	041-0494-000
6 Safety sensor bracket	041-0155-000
7 Safety sensor kit with receiving and sending sensors with 3 feet (.9 m) 2-conductor wire	041-0136
8 Straight door arm	4178B0034B
9 White and red/white wire	041B4494-1
10 3V CR2032 lithium battery	K010A0020
11 Extension bracket (optional)	041A5281-1
12 Remote Control	L993M
<b>Not Shown</b>	
Installation hardware bag	041A2770-17
Multi-function Control Panel	L957W



# Repair Parts

## Garage Door Opener Parts 6580

Description		Part Number
1	Belt Cap Retainer	041C1751
2	Sprocket	041B5348-2
3	End panel	041-0184-000
4	Dual Light Pod Kit	041-0188-000
5	Badge	041-0196-000
6	Main Enclosure Cover	041-0191-000
7	Control door panel	041-0192-000
8	End panel cover	041-0194-000
9	Motor with travel module	041D0794-1
10	Travel module	041D0871-4
11	Logic board end panel	041-0503-000
12	Logic board	030DCT
13	Line cord	041-0505-000
14	Camera	041-0506-000
15	Backup battery	485LM
<b>Not Shown</b>		
	Wire harness	041-0180-000
	Camera wire harness	041-0349-000
	Transformer, Wi-Fi	041D0277-2



# LiftMaster®

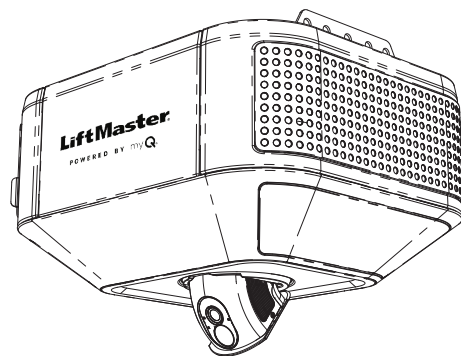
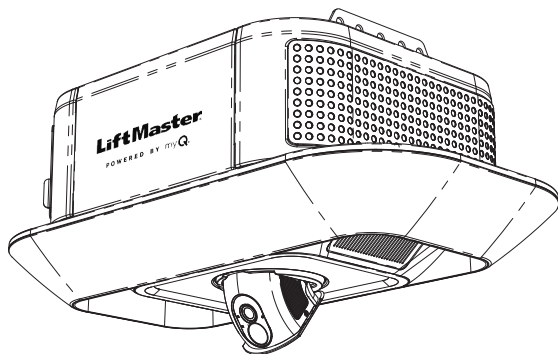
## Manuel d'installation

Ouvre-portes de garage intelligents à DEL

Modèles à entraînement par courroie : 6690L, 6580L

Modèles à entraînement par chaîne : 4690L

**USAGE RÉSIDENTIEL UNIQUEMENT**



- Veuillez lire attentivement ce manuel et les documents relatifs à la sécurité ci-joints!
- Des vérifications périodiques de l'ouvre-porte de garage sont nécessaires pour assurer un fonctionnement sûr.
- Cet ouvre-porte de garage est SEULEMENT compatible avec les accessoires myQ® et Security+ 3.0®.
- Ne l'installez PAS sur une porte monopiece si vous utilisez des dispositifs ou des fonctionnalités permettant une fermeture sans surveillance. Les dispositifs et fonctionnalités sans surveillance doivent être utilisés UNIQUEMENT avec des portes sectionnelles.
- Fixez les étiquettes d'avertissement à l'endroit indiqué sur l'étiquette.

Utilisez le code QR pour  
télécharger l'application  
gratuite myQ.



Download on the  
App Store

GET IT ON  
Google Play

Disponible pour la plupart des appareils iOS et Android

# Table des matières

<b>Préparation</b> .....	<b>3</b>
Numéro de série myQ® .....	3
Revue des symboles de sécurité et des mentions d'avertissement .....	3
Fonctionnement sans surveillance .....	3
Avant de vous connecter avec votre téléphone intelligent .....	4
Vérifiez la porte .....	4
Outils nécessaires .....	5
Contenu de la boîte du 6690L .....	6
Contenu de la boîte du 4690L .....	7
Contenu de la boîte du 6580L .....	8
<b>Assemblage</b> .....	<b>9</b>
<b>Installation</b> .....	<b>11</b>
<b>Panneau de commande</b> .....	<b>18</b>
<b>Installez le Protector System®</b> .....	<b>20</b>
Introduction .....	20
<b>Alimentation</b> .....	<b>24</b>
<b>Ajustements</b> .....	<b>26</b>
<b>Batterie de secours*</b> .....	<b>28</b>
Voyant à DEL d'état de la batterie .....	29
<b>Utilisation</b> .....	<b>30</b>
Caractéristiques .....	31
Connectez-vous avec votre téléphone intelligent .....	32
Configuration de la caméra – Modèles 6690, 6580, 4690 .....	34
Utiliser le panneau de commande Smart Control Panel®* .....	35
Télécommande .....	35
Pour effacer la mémoire .....	36
Pour ouvrir la porte manuellement .....	36
<b>Entretien</b> .....	<b>37</b>
Planification de l'entretien .....	37
Batterie de la télécommande .....	37

<b>Dépannage</b> .....	<b>38</b>
Tableau des diagnostics .....	38
<b>Accessoires</b> .....	<b>40</b>
<b>Garantie</b> .....	<b>41</b>
<b>Guide de sécurité et d'entretien de l'ouvre-porte de garage automatique</b> .....	<b>42</b>
Sécurité de l'ouvre-porte de garage – Une décision automatique .....	42
<b>L'entretien de routine peut éviter des tragédies</b> .....	<b>43</b>
<b>Pièces de rechange</b> .....	<b>44</b>
Pièces d'assemblage de rails 6690 .....	44
Pièces d'installation .....	44
Pièces d'assemblage de l'ouvre-porte de garage 6690 .....	45
Pièces d'assemblage du rail modèle 4690L .....	46
Pièces d'assemblage de l'ouvre-porte de garage 4690 .....	47
Pièces d'assemblage modèle 6580L .....	48
Installation .....	48
Pièces de l'ouvre-porte de garage 6580 .....	49

# Préparation

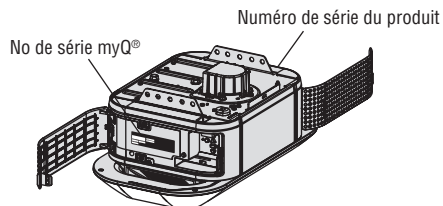
## Numéro de série myQ®

Notez les renseignements suivants pour références futures :

Numéro de série myQ® :

Numéro de série du produit :

Date d'achat :



## Revue des symboles de sécurité et des mentions d'avertissement.

Cet ouvre-porte de garage a été conçu et testé pour offrir un service sûr à condition qu'il soit installé, utilisé, entretenu et testé en stricte conformité avec les instructions et les avertissements de ce manuel.

Lorsque vous voyez ces symboles de sécurité et notes d'avertissement aux pages suivantes, ils vous avertissent du risque de  **blessures graves voire mortelles**  si vous ne respectez pas les avertissements qu'ils accompagnent. Le danger peut provenir de quelque chose de mécanique ou d'un choc électrique. Lisez attentivement les avertissements.



### AVERTISSEMENT

Mécanique



### AVERTISSEMENT

Électrique

Lorsque vous voyez cette mention d'avertissement aux pages suivantes, elle vous avertit du risque que votre porte de garage et/ou l'ouvre-porte soient endommagés si vous ne respectez pas les mises en garde qui l'accompagnent. Lisez-les attentivement.



### ATTENTION



**AVERTISSEMENT** : Ce produit peut vous exposer à des produits chimiques, dont le plomb, qui sont reconnus par l'État de Californie comme provoquant le cancer, des malformations congénitales ou d'autres problèmes de reproduction. Pour en savoir plus, rendez-vous sur [www.P65Warnings.ca.gov](http://www.P65Warnings.ca.gov).

## Fonctionnement sans surveillance

La fonction de minuterie de fermeture (TTC) et l'application myQ® sont des exemples de fermeture sans surveillance et doivent être utilisés **UNIQUEMENT** avec des portes sectionnelles. Tout dispositif ou fonction permettant à la porte de se fermer sans être dans le champ de vision de cette dernière est considéré comme une fermeture sans surveillance. La fonction de minuterie de fermeture (TTC), l'application myQ® et tout autre appareil myQ® doivent être utilisés **UNIQUEMENT** avec des portes sectionnelles.

**Les images de ce manuel sont fournies à titre indicatif uniquement et il est possible que votre produit soit différent.**

## Préparation (suite)

### Avant de vous connecter avec votre téléphone intelligent

Surveillez et contrôlez votre porte de garage de n'importe où à l'aide de l'application myQ®.

Il vous faudra :

- Un téléphone intelligent, une tablette ou un ordinateur portable compatible avec le Wi-Fi®
- Connexion Internet à large bande
- Signal Wi-Fi® dans le garage (2,4 GHz, 802.11b/g/n requis)
- Mot de passe pour votre réseau domestique (le compte principal du routeur; pas le réseau invité)

### TESTEZ LA FORCE DU SIGNAL WI-FI®

Assurez-vous que votre appareil mobile est connecté à votre réseau Wi-Fi®. Tenez votre appareil mobile à l'endroit où votre ouvre-porte de garage sera installé et vérifiez la force du signal Wi-Fi®.



#### Vérifiez la puissance du signal. Si vous voyez que :



**Le signal Wi-Fi est puissant.**  
L'ouvre-porte de garage se connectera à votre réseau Wi-Fi.

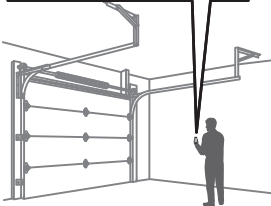


**Le signal Wi-Fi est faible.**  
L'ouvre-porte de garage se connectera peut-être à votre réseau Wi-Fi. Si ce n'est pas le cas, essayez l'une des options ci-dessous pour améliorer le signal Wi-Fi :



**Aucun signal Wi-Fi.**  
L'ouvre-porte de garage ne se connecte pas à votre réseau Wi-Fi. Essayez l'une des options ci-dessous pour améliorer le signal Wi-Fi :

- Rapprochez votre routeur de l'ouvre-porte de garage pour minimiser l'interférence des murs et d'autres objets
- Achetez un prolongateur de portée Wi-Fi



Pour obtenir les spécifications des routeurs compatibles et de l'aide, visitez [support.chamberlaingroup.com](http://support.chamberlaingroup.com).  
Voir la page 32 pour connecter l'ouvre-porte de garage à un appareil mobile.

### Vérifiez la porte



## AVERTISSEMENT

Pour éviter d'éventuelles BLESSURES GRAVES voire MORTELLES :

- Appelez TOUJOURS un technicien qualifié en systèmes de porte si la porte de garage se coince, colle ou est déséquilibrée. Une porte de garage déséquilibrée risque de ne PAS s'inverser lorsque cela est nécessaire.
- N'essayez JAMAIS de desserrer, déplacer ou ajuster la porte de garage, les ressorts de porte, les câbles, les poulies, les supports ou leur matériel, qui sont TOUS sous une tension EXTRÊME.
- Désactivez TOUS les verrous et retirez TOUTES les cordes connectées à la porte de garage AVANT d'installer et d'utiliser l'ouvre-porte pour éviter tout enchevêtrement.
- Ne l'installez PAS sur une porte monopiece si vous utilisez des dispositifs ou des fonctionnalités permettant une fermeture sans surveillance.
- Les dispositifs et fonctionnalités sans surveillance doivent être utilisés UNIQUEMENT avec des portes sectionnelles.



## ATTENTION

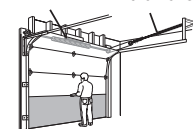
Pour éviter d'endommager la porte de garage et l'ouvre-porte :

- Désactivez TOUJOURS les verrous AVANT d'installer et d'utiliser l'ouvre-porte.
- Utilisez UNIQUEMENT l'ouvre-porte de garage à une tension de 120 V, 60 Hz pour éviter les dysfonctionnements et les dommages.

Avant de commencer :

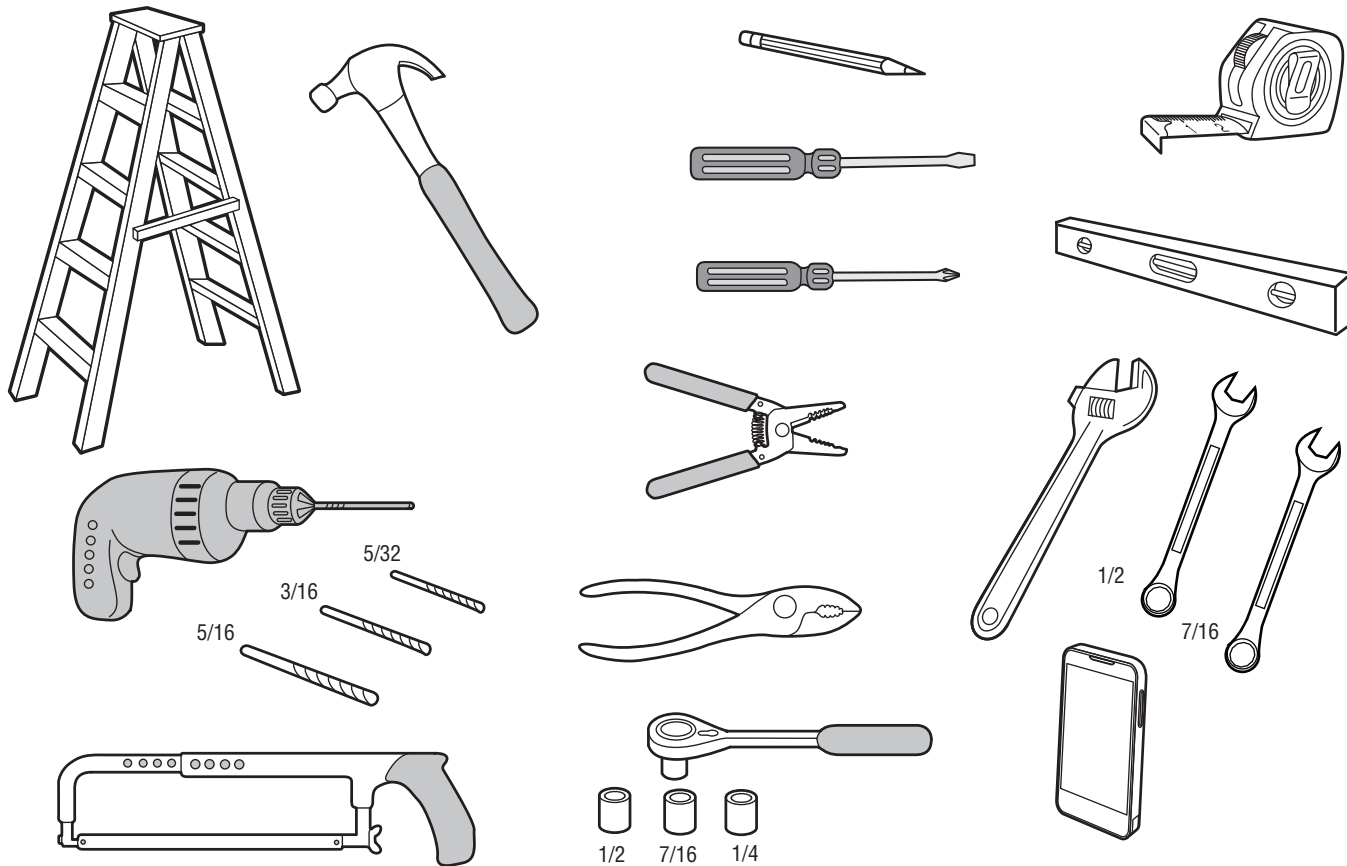
1. Désactivez les verrous et retirez toutes les cordes connectées à la porte de garage.
2. Soulevez la porte à mi-hauteur. Libérez la porte. Si elle est équilibrée, elle doit rester en place, entièrement soutenue par ses ressorts.
3. Soulevez et abaissez la porte pour vérifier qu'elle ne se coince pas ou ne colle pas. Si votre porte se coince, colle ou est déséquilibrée, appelez un technicien qualifié en systèmes de porte.
4. Vérifiez le joint au bas de la porte. Tout écart entre le sol et le bas de la porte ne doit pas dépasser 6 mm (1/4 po). Sinon, le système d'inversion de sécurité risque de ne pas fonctionner correctement.
5. L'ouvre-porte doit être installé au-dessus du centre de la porte. S'il y a un ressort de torsion ou une plaque d'appui centrale sur le chemin du support de linteau, il peut être installé à moins de 1,2 m (4 pi) à gauche ou à droite du centre de la porte. Voir page 12.

Ressort de torsion **OU** Ressort d'extension



# Préparation (suite)

## Outils nécessaires



# Préparation (suite)

## Contenu de la boîte du 6690L

Les accessoires varient selon le modèle de l'ouvre-porte de garage acheté. Selon votre modèle précis, d'autres accessoires pourraient être compris avec votre ouvre-porte de garage. Les instructions relatives aux accessoires ne sont pas incluses dans ce manuel, car elles sont jointes à ces derniers. **Les images de ce manuel sont fournies à titre indicatif et il est possible que votre produit ait une apparence différente.**

- a. Support de linteau
- b. Poulie et support
- c. Support de porte
- d. Bras de porte incurvé
- e. Bras de porte droit
- f. Chariot
- g. Corde et poignée de déclenchement d'urgence
- h. Rail
- i. Ouvre-porte de garage
- j. Retenue de capuchon de courroie
- k. Courroie
- l. Panneau de commande - Modèle L958W
- m. Fil blanc et rouge/blanc
- n. Les capteurs d'inversion de sécurité Protector System® avec fils blanc et blanc/noir attachés : capteur d'envoi (1), capteur de réception (1) et supports de capteur de sécurité (2)
- o. Étiquettes de sécurité et documentation
- p. Graisse pour rail
- q. Télécommande (2)
- r. Batterie
- s. Entrée sans clé

## QUINCAILLERIE DU RAIL

Boulon avec rondelle 5/16 po-18 x 1/2 po (2) [monté sur le dessus de l'ouvre-porte de garage]

## QUINCAILLERIE D'INSTALLATION

Boulon à six pans de 5/16 po - 18 x 7/8 po (4)

Tirefond de 5/16 po - 9 x 1 5/8 po (2)

Axe à épaulement de 5/16 po x 2 3/4 po (1)

Axe à épaulement de 5/16 po x 1 1/4 po (1)

Axe à épaulement de 5/16 po x 1 po (1)

Écrou de 5/16 po -18 (4)

Rondelle d'arrêt de 5/16 po (4)

Vis autotaraudeuse de 1/4 po-14 x 5/8 po (2)

Anneau de fixation (3)

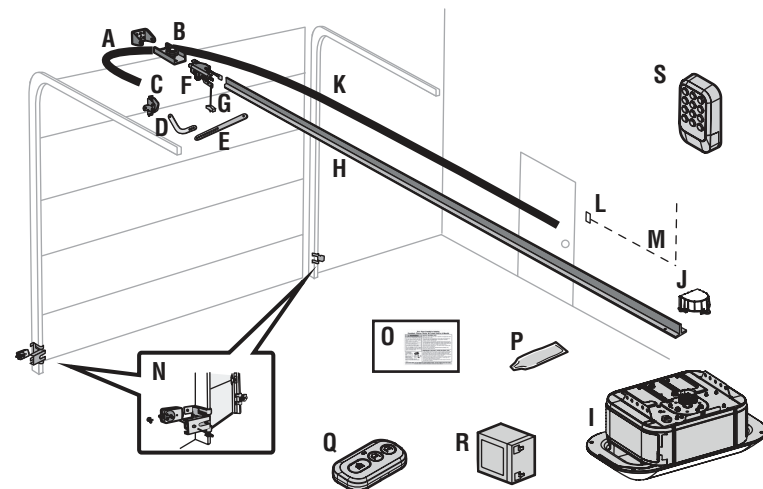
Vis à six pans 10-24 (2)

Écrou à oreilles (2)

Chevilles pour cloisons sèches (2)

## QUINCAILLERIE DU PANNEAU DE COMMANDE

Vis 6AB x 1 1/4 po (2)



# Préparation (suite)

## Contenu de la boîte du 4690L

Les accessoires varient selon le modèle de l'ouvre-porte de garage acheté. Selon votre modèle précis, d'autres accessoires pourraient être compris avec votre ouvre-porte de garage. Les instructions relatives aux accessoires ne sont pas incluses dans ce manuel, car elles sont jointes à ces derniers. **Les images de ce manuel sont fournies à titre indicatif et il est possible que votre produit ait une apparence différente.**

- a. Support de linteau
- b. Poulie et support
- c. Support de porte
- d. Bras de porte incurvé
- e. Bras de porte droit
- f. Chariot
- g. Corde et poignée de déclenchement d'urgence
- h. Rail
- i. Ouvre-porte de garage
- j. Écarteur de chaîne et vis à six pans
- k. Chaîne
- l. Panneau de commande – Modèle L958W
- m. Fil blanc et rouge/blanc
- n. Capteurs d'inversion de sécurité Protector System® avec fils blanc et blanc/noir attachés : capteur d'envoi (1), capteur de réception (1) et supports de capteur de sécurité (2)
- o. Étiquettes de sécurité et documentation
- p. Graisse pour rail
- q. Télécommande(s)
- r. Batterie
- s. Support de châssis

## MATÉRIEL

### Matériel pour le support de châssis

Vis no 8-32 x 3/8 po (1)

Boulon à six pans de 1/4 po-20 x 5/8 po (2)

## MATÉRIEL D'INSTALLATION

Boulon à six pans de 5/16 po - 18 x 7/8 po (4)

Tirefond de 5/16 po-9 x 1 5/8 po (2)

Axe à épaulement de 5/16 po x 2 3/4 po (1)

Axe à épaulement de 5/16 po x 1 1/4 po (1)

Axe à épaulement de 5/16 po x 1 po (1)

Écrou de 5/16 po -18 (4)

Rondelle d'arrêt 5/16 po (4)

Vis autotaraudeuse de 1/4 po-14 x 5/8 po (2)

Anneau de fixation (3)

Vis à six pans 10-24 (2)

Écrou à oreilles (2)

Boulon à six pans de 1/4 po-20 x 5/8 po (2)

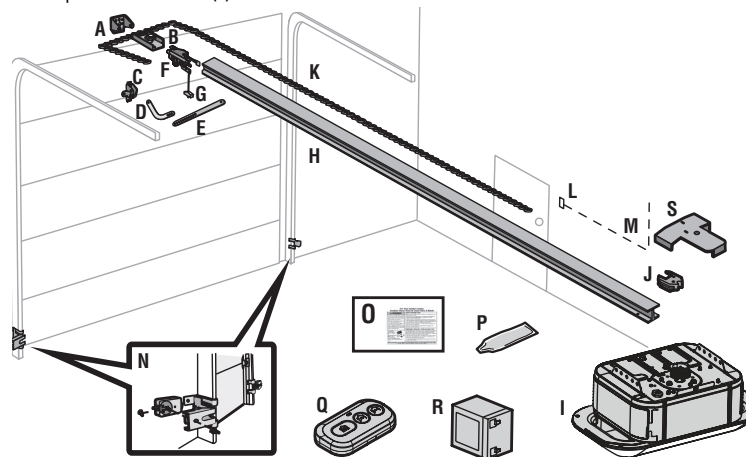
Écrou d'arrêt de 1/4 po-20 (2)

Tirefond de 1/4 po-4 x 1 1/2 po (4)

## QUINCAILLERIE DU PANNEAU DE COMMANDE

Vis 6AB x 1 1/4 po (2)

Cheilles pour cloisons sèches (2)



## Préparation (suite)

### Contenu de la boîte du 6580L

Les accessoires varient selon le modèle de l'ouvre-porte de garage acheté. Selon votre modèle précis, d'autres accessoires pourraient être compris avec votre ouvre-porte de garage. Les instructions relatives aux accessoires ne sont pas incluses dans ce manuel, car elles sont jointes à ces derniers. **Les images de ce manuel sont fournies à titre indicatif et il est possible que votre produit ait une apparence différente.**

- a. Support de linteau
- b. Poulie et support
- c. Support de porte
- d. Bras de porte incurvé
- e. Bras de porte droit
- f. Chariot
- g. Corde et poignée de déclenchement d'urgence
- h. Rail
- i. Ouvre-porte de garage
- j. Retenue de capuchon de courroie
- k. Courroie
- l. Panneau de commande - Modèle L957W
- m. Fil blanc et rouge/blanc
- n. Capteurs d'inversion de sécurité Protector System® avec 2 fils conducteurs blanc et blanc/noir attachés : Capteur d'envoi (1), capteur de réception (1) et supports de capteur de sécurité (2)
- o. Étiquettes de sécurité et documentation
- p. Graisse pour rail
- q. Télécommande(s)
- r. Batterie

### QUINCAILLERIE D'INSTALLATION

- Boulon à six pans de 5/16 po - 18 x 7/8 po (4)
- Tirefond de 5/16 po-9 x 1 5/8 po (2)
- Axe à épaulement de 5/16 po x 2 3/4 po (1)
- Axe à épaulement de 5/16 po x 1 1/4 po (1)
- Axe à épaulement de 5/16 po x 1 po (1)
- Écrou de 5/16 po -18 (4)

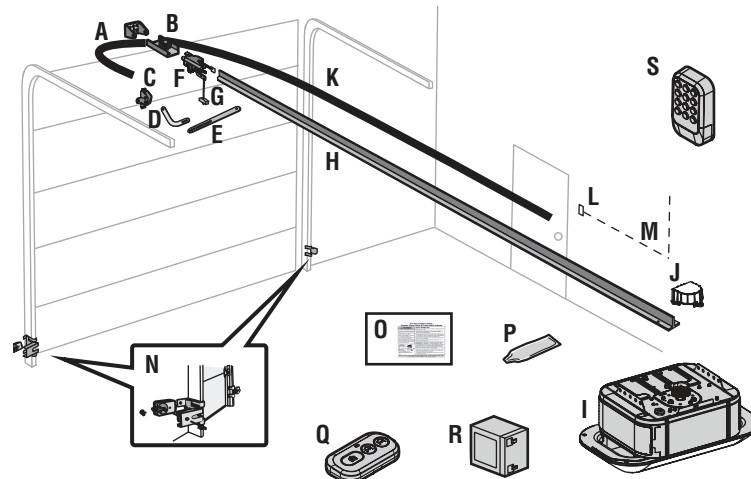
- Rondelle d'arrêt de 5/16 po (4)
- Vis autotaraudeuse de 1/4 po-14 x 5/8 po (2)
- Anneau de fixation (3)
- Vis à six pans 10-24 (2)
- Écrou à oreilles (2)

### QUINCAILLERIE POUR RAIL

Boulon avec rondelle de 5/16 po-18 x 1/2 po (2) (monté sur le dessus de l'ouvre-porte de garage)

### MATÉRIEL DE PANNEAU DE COMMANDE

Vis 6AB x 1 1/4 po (2)  
Chevilles pour cloisons sèches (2)



# Assemblage

## 1 Fixez le rail de la courroie à l'ouvre-porte de garage 6690L, 6580L

### AVERTISSEMENT

Pour éviter d'éventuelles BLESSURES GRAVES au doigt causées par l'ouvre-porte de garage en mouvement :

- Gardez TOUJOURS la main à l'écart du pignon lorsque vous utilisez l'ouvre-porte.

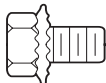
### ATTENTION

Pour éviter de GRAVES dommages à l'ouvre-porte de garage, utilisez UNIQUEMENT les boulons/attaches montés sur le dessus de l'ouvre-porte.

**REMARQUE :** Utilisez UNIQUEMENT les boulons retirés de l'ouvre-porte de garage. Placez l'ouvre-porte de garage sur le matériel d'emballage pour éviter les rayures.

1. **Modèles 6690L et 6580L** Retirez les deux boulons du haut de l'ouvre-porte de garage.
2. Retirez et jetez le ruban adhésif et le styromousse autour du rail, puis alignez les trous du rail avec les trous de l'ouvre-porte de garage.
3. Fixez le rail à l'aide des boulons mentionnés précédemment.
4. Positionnez la chaîne autour du pignon de l'ouvre-porte de garage.
5. Placez la retenue du capuchon de courroie sur le pignon de l'ouvre-porte de garage et fixez-le avec des vis hexagonales.

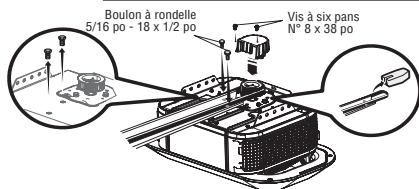
#### MATÉRIEL



Boulon à rondelle de 5/16 po-18x1/2 po  
(montés dans l'ouvre-porte de garage)

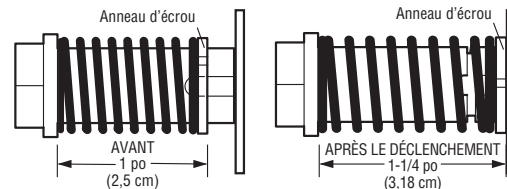
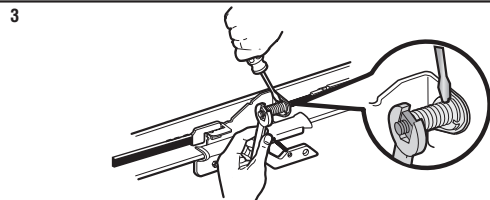
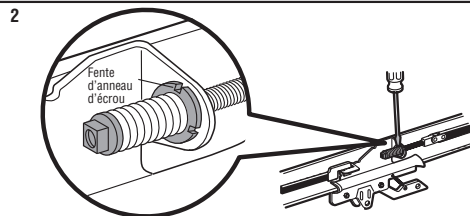
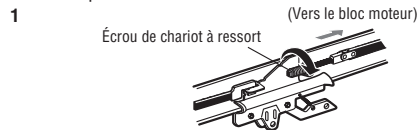


Vis à six pans  
N° 8 x 38 po



## 2 Serrez la courroie

1. Vissez à la main l'écrou du chariot à ressort sur l'arbre fileté jusqu'à ce qu'il soit bien serré (à la main) contre le chariot. N'utilisez aucun outil.
2. Insérez la pointe d'un tournevis à tête plate dans l'une des fentes de la bague d'écrou et fixez-la fermement contre le chariot.
3. Serrez l'écrou du chariot à ressort avec une clé à molette ou une clé plate de 7/16 po, d'environ un quart de tour jusqu'à ce que le ressort se libère et enclenche la bague d'écrou contre le chariot. Ceci règle le ressort sur une tension optimale de la courroie.



# Assemblage (suite)

## 1 Fixer le rail de chaîne de la poutre en I à l'ouvre-porte de garage 4690

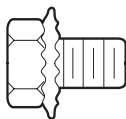
### ATTENTION

Pour éviter de GRAVES dommages à l'ouvre-porte de garage, utilisez UNIQUEMENT les boulons/attaches montés sur le dessus de l'ouvre-porte.

**REMARQUE :** Utilisez UNIQUEMENT les boulons retirés de l'ouvre-porte de garage. Placez l'ouvre-porte de garage sur le matériel d'emballage pour éviter les rayures.

1. Retirez les deux boulons du haut de l'ouvre-porte de garage.
2. Retirez et jetez le ruban adhésif et le styromousse autour du rail, puis alignez les trous du rail avec les trous de l'ouvre-porte de garage.
3. Fixez le rail à l'aide des boulons mentionnés précédemment.
4. Fixez l'écarteur de chaîne à l'ouvre-porte de garage à l'aide de vis.
5. Guidez la chaîne autour de la rainure sélectionnée dans l'écarteur de chaîne.
6. Positionnez la chaîne autour du pignon de l'ouvre-porte de garage.

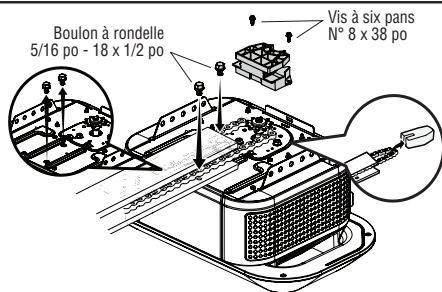
### MATÉRIEL



Boulon à rondelle de 5/16 po-18x1/2 po  
(montés dans l'ouvre-porte de garage)



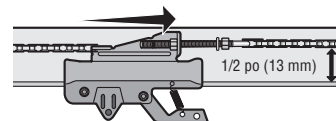
Vis à six pans  
N° 8 x 38 po



## 2 Serrer la chaîne

1. Dessersez l'écrou intérieur et la rondelle de blocage sur l'arbre fileté du chariot.
2. Serrez l'écrou extérieur jusqu'à ce que la chaîne soit à 1/2 po au-dessus de la base du rail au point médian du rail.
3. Resserrez l'écrou intérieur.

Lorsque la porte est fermée, il est normal de voir un certain relâchement de la chaîne. Aucun réajustement n'est nécessaire.



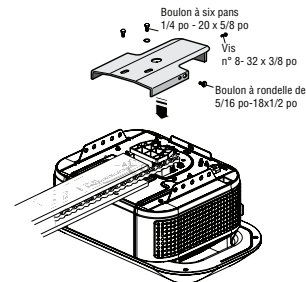
## 3 Fixez le support de châssis

### AVERTISSEMENT

Pour éviter d'éventuelles BLESSURES GRAVES au doigt causées par l'ouvre-porte de garage en mouvement :

- Gardez TOUJOURS la main à l'écart du pignon lorsque vous utilisez l'ouvre-porte.

1. Positionnez le support de châssis sur l'unité.
2. Fixez le support sur le rail avec les boulons à six pans de 1/4 po-20 x 5/8 po et les rondelles d'arrêt. **Ne serrez PAS trop.**
3. Fixez le support à l'ouvre-porte en insérant une vis à rondelle de 5/16 po-18 x 1/2 po dans le trou de la bride de fixation de chaque côté et le trou correspondant sur le support. Terminez la connexion en insérant la vis n° 8-32 x 3/8 po dans la bride de fixation arrière et le trou du support du rail.



### Consignes de sécurité importantes

#### **AVERTISSEMENT**

#### **Pour réduire le risque de BLESSURES GRAVES voire MORTELLES :**

1. LISEZ ET SUIVEZ TOUS LES AVERTISSEMENTS ET TOUTES LES INSTRUCTIONS D'INSTALLATION.
2. Installez l'ouvre-porte de garage UNIQUEMENT sur une porte de garage correctement équilibrée et lubrifiée. Une porte mal équilibrée risque de ne PAS s'inverser lorsque cela est nécessaire et pourrait entraîner des BLESSURES GRAVES ou MORTELLES.
3. TOUTES les réparations de câbles, ressorts et autre matériel DOIVENT être effectuées par un technicien en systèmes de portes qualifié AVANT l'installation de l'ouvre-porte.
4. Désactivez TOUS les verrous et retirez TOUTES les cordes connectées à la porte de garage AVANT d'installer l'ouvre-porte pour éviter qu'elles s'enchevêtrent.
5. Dans la mesure du possible, installez l'ouvre-porte à une hauteur minimum de 2,1 m (7 pi) du sol.
6. Montez le déclenchement d'urgence à portée de main, mais à une hauteur minimum de 1,8 m (6 pi) du sol et en évitant tout contact avec les véhicules afin d'éviter un déclenchement accidentel.
7. Ne branchez JAMAIS l'ouvre-porte de garage à une source d'alimentation avant d'y être invité.
8. Ne portez JAMAIS de montres, bagues ou vêtements amples en installant ou entretenant l'ouvre-porte. Ils pourraient être happés dans les mécanismes de porte de garage ou de l'ouvre-porte.
9. Installez la commande de porte de garage murale :
  - en vue de la porte du garage;
  - hors de portée des jeunes enfants à une hauteur minimale de 1,5 m (5 pi) au-dessus du sol, des paliers, des marches ou de toute autre surface de marche adjacente;
  - à l'écart de TOUTES les pièces mobiles de la porte.
10. Placez une étiquette d'avertissement de piégeage sur le mur, à côté de la commande de porte de garage, dans un endroit bien en vue.
11. Placez l'étiquette de test d'inversion de sécurité/déclenchement d'urgence bien en vue à l'intérieur de la porte de garage.
12. Une fois l'installation terminée, testez le système d'inversion de sécurité. La porte DOIT s'inverser au contact d'un objet de 3,8 cm (1-1/2 po) de haut (ou un 2x4 posé à plat) posé sur le sol.
13. Ne l'installez PAS sur une porte monopiece si vous utilisez des dispositifs ou des fonctionnalités permettant une fermeture sans surveillance. Les dispositifs et fonctionnalités sans surveillance doivent être utilisés UNIQUEMENT avec des portes sectionnelles.

#### **14. CONSERVEZ CES INSTRUCTIONS.**

# Installation (suite)

## 1 Déterminez l'emplacement du support de linteau



### AVERTISSEMENT

Pour éviter d'éventuelles BLESSURES GRAVES voire MORTELLES :

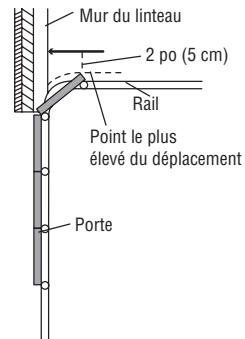
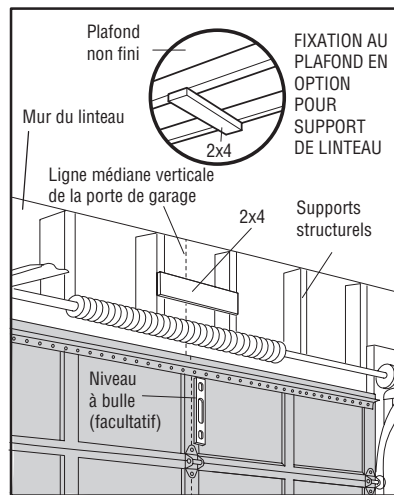
- Le support de linteau DOIT être fixé RIGIDEMENT au support de structure mur du linteau ou du plafond, car sinon la porte de garage risquerait de NE PAS s'inverser si nécessaire. N'installez PAS le support de linteau sur une cloison sèche.
- Des ancrages à béton DOIVENT être utilisés si le support de linteau est monté en 2x4 dans la maçonnerie.
- N'essayez JAMAIS de desserrer, déplacer ou ajuster la porte de garage, les ressorts, les câbles, les poulies, les supports ou leur matériel, qui sont TOUS sous une tension EXTRÊME.
- Appelez TOUJOURS un technicien qualifié en systèmes de porte si la porte de garage se coince, colle ou est déséquilibrée. Une porte de garage déséquilibrée risque de NE PAS s'inverser lorsque cela est nécessaire.

Fermez la porte et marquez la ligne médiane verticale intérieure de la porte de garage.

Prolongez la ligne sur le mur du linteau au-dessus de la porte. Vous pouvez fixer le support de linteau à moins de 1,22 m (4 pieds) de la gauche ou de la droite du centre de la porte uniquement si un ressort de torsion ou une plaque d'appui centrale gêne; ou vous pouvez le fixer au plafond lorsque le dégagement est minimal. (Il peut être monté au mur à l'envers si nécessaire, pour gagner environ 1 cm (1/2 po). Si vous devez installer le support de linteau sur un 2x4 (au mur ou au plafond), utilisez des tirefonds (non fournis) pour fixer solidement le 2x4 aux supports de structure.

Ouvrez votre porte au point le plus élevé du déplacement comme indiqué. Tracez une ligne horizontale sécante sur le mur du linteau à 2 cm (2 po) au-dessus du point le plus haut. La hauteur fournira le dégagement de déplacement pour le bord du dessus de la porte.

**REMARQUE :** Si le nombre total de pouces dépasse la hauteur disponible dans votre garage, utilisez la hauteur maximale possible ou consultez la page 13 pour l'installation au plafond.



Porte sectionnelle avec rail incurvé

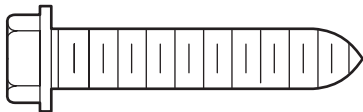
# Installation (suite)

## 2 Installez le support de linteau

Vous pouvez fixer le support de linteau soit au mur au-dessus de la porte de garage, soit au plafond. Suivez les instructions qui conviendront le mieux à vos besoins particuliers. **N'installez pas le support de linteau sur une cloison sèche. Si vous effectuez l'installation dans de la maçonnerie, utilisez des chevilles à béton (non fournies).**

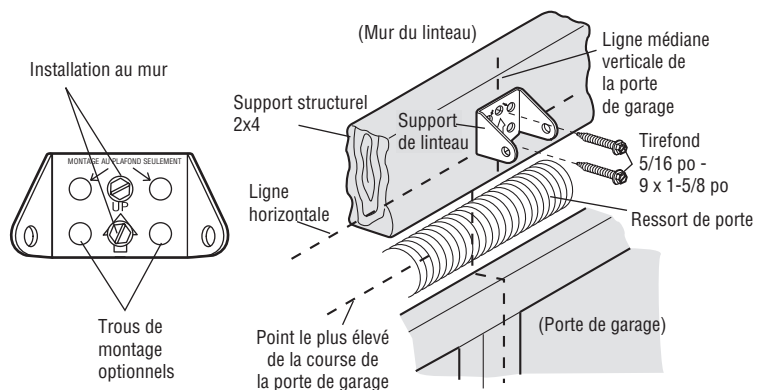
### MATÉRIEL

Tirefond de 5/16 po - 9 x 1-5/8 po



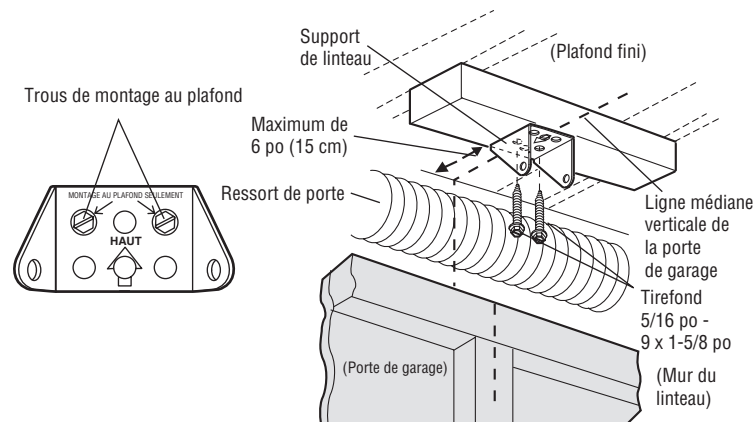
### OPTION A - INSTALLATION MURALE

1. Centrez le support placé sur la ligne médiane verticale sur le bord inférieur du support placé sur la ligne horizontale tel qu'indiqué (la flèche orientée vers le plafond).
2. Marquez le jeu vertical de trous du support (n'utilisez pas les trous prévus pour le montage au plafond). Percez des avant-trous de 3/16 po et fixez solidement le support à un support structurel avec les tirefonds.



### OPTION B - INSTALLATION AU PLAFOND

1. Étendez la ligne médiane verticale sur le plafond comme indiqué.
2. Centrez le support sur la marque verticale, à un espacement maximum de 15 cm (6 po) du mur. Vérifiez que la flèche est dirigée vers le mur. Le support peut être monté au ras du plafond lorsque le dégagement est minimal.
3. Marquez les trous latéraux. Percez des avant-trous de 3/16 po et fixez solidement le support à un support structurel avec la quincaillerie fournie.



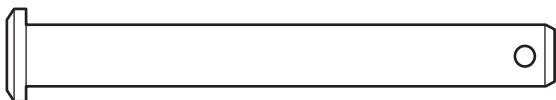
## Installation (suite)

### 3 Fixez le rail au support de linteau

1. Alignez le rail avec le support de linteau. Insérez l'axe à épaulement dans les trous du support du linteau et le rail. Fixez avec l'anneau de fixation.

**REMARQUE :** Utilisez le matériel d'emballage comme base protectrice pour l'ouvre-porte de garage.

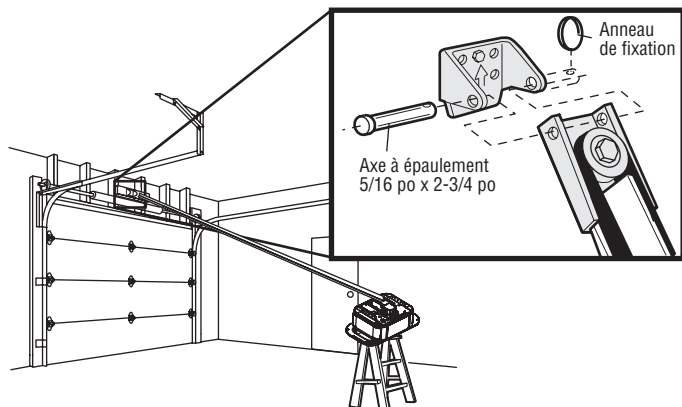
#### MATÉRIEL



Axe à épaulement de 5/16 po x 2-3/4 po



Anneau de fixation



### 4 Positionnez et montez l'ouvre-porte de garage.

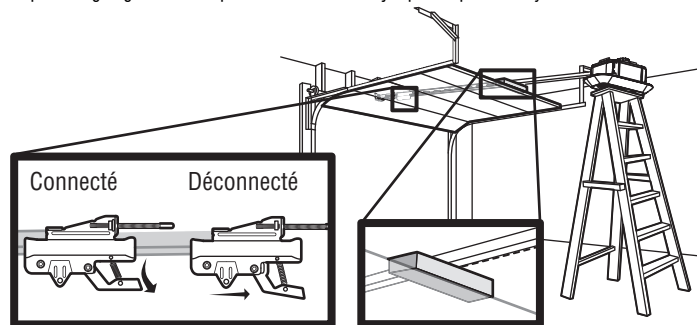


#### ATTENTION

Pour éviter d'endommager la porte de garage, placez le rail de l'ouvre-porte de garage sur un 2x4 placé sur la partie supérieure de la porte.

1. Retirez le matériel d'emballage et soulevez l'ouvre-porte de garage sur une échelle.
2. Ouvrez complètement la porte et placez un 2x4 (à plat) sous le rail.

Un 2x4 est idéal pour régler la distance entre le rail et la porte. Si l'échelle n'est pas assez haute, vous aurez besoin d'aide à ce stade. Si la porte heurte le chariot lorsqu'il est relevé, tirez le bras de déclenchement du chariot vers le bas pour déconnecter les chariots intérieur et extérieur. Faites glisser le chariot extérieur vers l'ouvre-porte de garage. Le chariot peut rester déconnecté jusqu'à ce que vous soyez invité à le connecter.



## Installation (suite)

### 5 Accrochez l'ouvre-porte de garage



#### AVERTISSEMENT

Pour éviter d'éventuelles BLESSURES GRAVES causées par la chute d'un ouvre-porte de garage, fixez-le SOLIDEMENT aux supports de la structure du garage. Des ancrages à béton DOIVENT être utilisés si vous installez TOUT support dans la maçonnerie.

La suspension de l'ouvre-porte de garage varie en fonction de votre garage. Voici deux installations représentatives. La vôtre peut être différente. Les supports de suspension doivent être inclinés (Figure 1) pour fournir un support rigide. Sur les plafonds finis (Figure 2), fixez un support métallique solide aux supports structurels avant d'installer l'ouvre-porte.

Ce support ainsi que le matériel de fixation ne sont pas fournis.

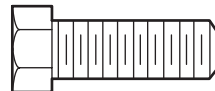
1. Vérifiez que le rail est centré au-dessus de la porte (ou aligné avec le support du linteau si le support n'est pas centré au-dessus de la porte).
2. Mesurez la distance au support de structure de chaque côté du bloc moteur (Figure 3).
3. Coupez les deux morceaux du support de suspension aux longueurs requises.
4. Percez des trous pilotes de 3/16 po dans les supports structurels.
5. Fixez une extrémité de chaque support à l'aide de tirefonds de 5/16 po-18 x 1 7/8 po (non fournis).
6. Fixez l'ouvre-porte de garage aux supports de suspension à l'aide de boulons à six pans de 5/16 po-18 x 7/8 po, de rondelles d'arrêt et d'écrous.
7. Retirez le 2x4. Faites fonctionner la porte manuellement. Si la porte heurte le rail, soulevez le support de linteau.

**REMARQUE :** NE branchez PAS l'alimentation de l'ouvre-porte pour le moment.

#### MATÉRIEL



Rondelle de blocage de 5/16 po



Boulon à six pans de 5/16 po - 18 x 7/8 po



Écrou de 5/16 po - 18

FIGURE 1

Plafond non fini

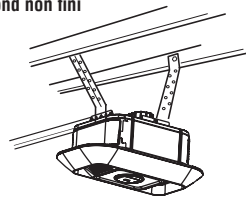


FIGURE 2

Plafond fini

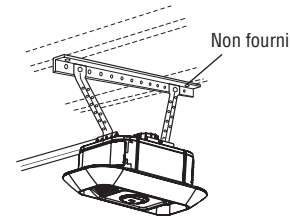
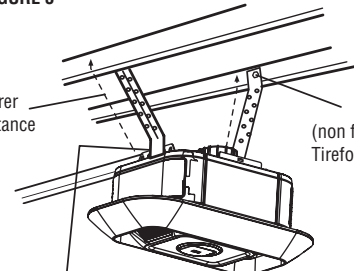


FIGURE 3

Mesurer la distance



(non fourni)  
Tirefond 5/16 po - 18 x 1-7/8 po

Boulon hexagonal de 5/16 po - 18 x 7/8 po, rondelle de blocage de 5/16 po, écrou de 5/16 po - 18

## Installation (suite)

### 6 Fixez la corde et la poignée de déclenchement d'urgence

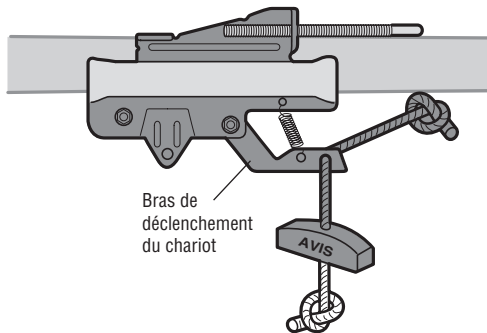
#### AVERTISSEMENT

Pour éviter d'éventuelles BLESSURES GRAVES voire MORTELLES causées par une porte de garage qui tombe :

- Dans la mesure du possible, utilisez UNIQUEMENT la poignée de déclenchement d'urgence pour débrayer le chariot lorsque la porte du garage est FERMÉE. Des ressorts faibles ou cassés, ou une porte déséquilibrée peuvent entraîner une chute rapide et/ou inattendue d'une porte ouverte.
- N'utilisez JAMAIS la poignée de déclenchement d'urgence avant que toutes les personnes et les obstacles soient hors de sa trajectoire.
- N'utilisez JAMAIS la poignée pour ouvrir ou fermer la porte. Si le nœud de la corde se défait, vous risquez de tomber.

1. Insérez une extrémité de la corde de déclenchement d'urgence à travers la poignée. Vérifiez que « NOTICE » (AVIS) est à l'endroit. Fixez avec un nœud simple à un minimum de 2,5 cm (1 po) de l'extrémité de la corde pour éviter qu'elle glisse.
2. Fermez la porte manuellement pour accéder au chariot et passez à l'étape suivante.
3. Insérez l'autre extrémité de la corde de déclenchement d'urgence dans le trou du bras de déclenchement du chariot. Montez le déclenchement d'urgence à portée de main, mais à au moins 1,83 m (6 pi) au-dessus du sol, en évitant tout contact avec les véhicules pour éviter un déclenchement accidentel, puis fixez-le avec un nœud plat.

**REMARQUE :** S'il est nécessaire de couper la corde de déclenchement d'urgence, scellez l'extrémité coupée avec une allumette ou un briquet pour éviter qu'elle ne s'effiloche. Vérifiez que la corde et la poignée de déverrouillage d'urgence se trouvent au-dessus du toit de tous les véhicules pour éviter tout enchevêtrement éventuel.

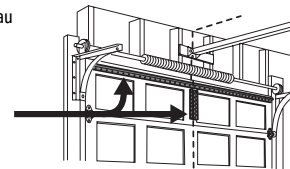


### 7 Installez des supports de fixation au plancher

#### ATTENTION

Les portes de garage en fibre de verre, en aluminium ou en acier léger DEVRONT être renforcées AVANT l'installation du support de porte. Contactez le fabricant de la porte de garage ou le revendeur qui s'est chargé de l'installation pour obtenir des instructions sur un renfort d'ouvre-porte ou un kit de renfort.

Un renfort horizontal et vertical est nécessaire pour les portes de garage légères (fibre de verre, aluminium, acier, portes avec panneau de verre, etc.) (non fourni). Une entretoise de renfort horizontale doit être suffisamment longue pour être fixée à deux ou trois supports verticaux. Un renfort vertical doit couvrir la hauteur du panneau supérieur. Contactez le fabricant de la porte de garage ou le revendeur qui s'est chargé de l'installation pour obtenir des instructions sur un renfort d'ouvre-porte ou un kit de renfort.



**REMARQUE :** De nombreuses trusses de renfort de porte permettent de fixer directement l'axe à épaulement et le bras de porte. Dans ce cas, vous n'aurez pas besoin du support de porte; passez directement à l'étape suivante.

#### RENFORCEMENT DES PORTES DE GARAGE SECTIONNELLES LÉGÈRES

Pour assurer le fonctionnement sûr et fiable d'un ouvre-porte de garage, il est essentiel de renforcer la section supérieure des portes de garage sectionnelles légères conformément aux spécifications du fabricant.

- Ce renforcement renforce la zone où le bras de l'opérateur se connecte à la porte, lui permettant de résister aux forces répétées appliquées lors des cycles d'ouverture et de fermeture.
- Sans renforcement adéquat, la section supérieure peut fléchir, se déformer ou cesser de fonctionner avec le temps compromettant à la fois la performance et la sécurité de l'ensemble du système.

#### PORTES SECTIONNELLES

1. Centrez le support de porte sur la ligne médiane verticale que vous avez tracée auparavant et utilisée pour installer le support de linteau. Notez que le placement correct est vers le HAUT, tel qu'indiqué à l'intérieur du support.
2. Positionnez le bord supérieur du support entre 5 et 10 cm (2 et 4 po) sous le bord supérieur de la porte OU directement sous tout support structurel du dessus de la porte.
3. Marquez des trous et percez-les, puis procédez à l'installation comme suit, selon la construction de votre porte :

**Portes métalliques ou légères utilisant une équerre verticale dans le support de panneau de porte et le support de porte :**

- Percez des trous de fixation de 3/16 po. Fixez le support de porte à l'aide des vis autotaraudeuses. (Figure 1)
- Dans l'alternative, utilisez deux boulons de 5/16 po - 18 x 2 po, des rondelles d'arrêt et des écrous (non fournis). (Figure 2)

# Installation (suite)

## Portes métalliques, isolées ou légères renforcées en usine :

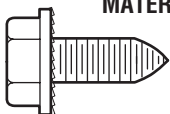
- Percez des trous de fixation de 3/16 po. Fixez le support de porte à l'aide des vis autotaraudeuses. (Figure 3)

## Portes en bois :

- Utilisez les trous du support de porte haut et bas ou côte à côte. Percez des trous de 5/16 po à travers la porte et fixez le support avec des boulons ordinaires de 5/16 po - 18 x 2 po, des rondelles de blocage et des écrous (non fournis). (Figure 4)

**REMARQUE :** Les vis autotaraudeuses de 1/4 po - 14 x 5/8 po ne sont pas destinées à être utilisées sur des portes en bois.

## MATÉRIEL



Vis autotaraudeuse  
1/4 po - 14 x 5/8 po

FIGURE 1

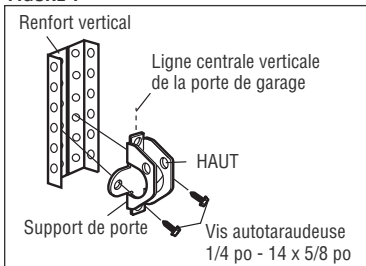


FIGURE 2

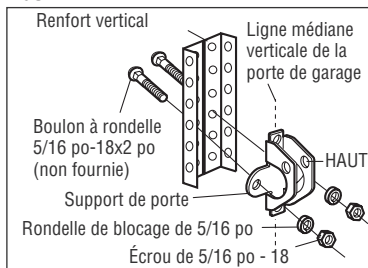


FIGURE 3

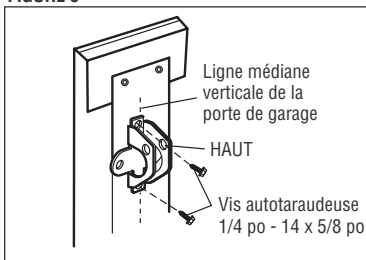
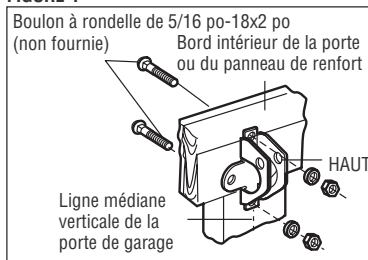


FIGURE 4



## 8 Connectez le bras de porte au chariot

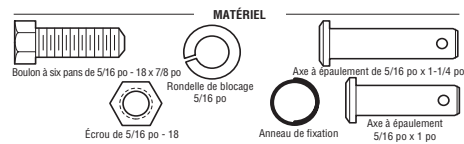
**IMPORTANT :** La rainure du bras de porte droit DOIT être tournée du côté opposé au bras de porte incurvé.

1. Fermez la porte. Déconnectez le chariot en tirant sur la poignée de déclenchement d'urgence. Glissez le chariot extérieur vers l'arrière (loin de la porte) d'environ 2 po (5 cm).
2. Fixez le bras droit de la porte au chariot extérieur à l'aide de l'axe à épaulement. Fixez-le avec l'anneau de fixation.
3. Fixez le bras de porte incurvé au support de porte à l'aide de l'axe à épaulement. Fixez-le avec l'anneau de fixation.
4. Alignez le bras de porte droit avec le bras de porte incurvé. Choisissez deux trous alignés (qui sont le plus loin possible l'un de l'autre) et fixez en utilisant les boulons, les écrous et les rondelles d'arrêt.

**REMARQUE :** Lorsque la porte de garage est en position complètement fermée, le bras incurvé reliant l'opérateur à la porte doit être positionné de façon à ce que la partie inférieure du bras—s'étendant du support de porte—soit aussi proche que possible de l'horizontale. Cet alignement assure un levier mécanique optimal et un fonctionnement fluide de l'opérateur à barre de traction.

**REMARQUE :** Si les trous ne s'alignent pas, inversez le bras de porte droit. Choisissez deux trous alignés (qui sont le plus loin possible l'un de l'autre) et fixez en utilisant les boulons, les écrous et les rondelles d'arrêt.

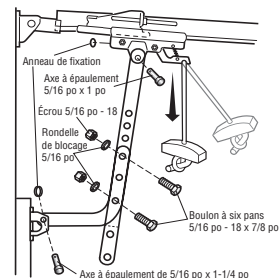
5. Tirez la poignée de déclenchement d'urgence vers l'ouvre-porte de garage jusqu'à ce que le bras de déclenchement du chariot soit horizontal. Le chariot se réengage automatiquement lorsque l'ouvre-porte de garage est activé.



CORRECT



INCORRECT



# Panneau de commande

## 1 Installez le panneau de commande



### AVERTISSEMENT

Pour éviter d'éventuelles BLESSURES GRAVES voire MORTELLES par électrocution :

- Vérifiez que l'alimentation n'est PAS branchée AVANT d'installer le panneau de commande.
- Connectez le panneau de commande UNIQUEMENT aux fils basse tension de 12 VOLTS.

Pour éviter d'éventuelles BLESSURES GRAVES voire MORTELLES causées par la fermeture d'une porte de garage :

- Installez le panneau de commande à portée de vue de la porte de garage, hors de portée des jeunes enfants, à une hauteur minimale de 5 pieds (1,5 m) au-dessus du sol, des paliers, des marches ou de toute autre surface de marche adjacente, et à l'écart de TOUTES les pièces mobiles de la porte.
- N'autorisez JAMAIS des enfants à utiliser ou jouer avec les boutons du panneau de commande ou les émetteurs de la télécommande.
- Activez la porte UNIQUEMENT lorsqu'elle est clairement visible, qu'elle est correctement réglée et qu'il n'y a pas d'obstacles au déplacement de la porte.
- Gardez TOUJOURS la porte de garage en vue jusqu'à ce qu'elle soit complètement fermée. Ne permettez JAMAIS à quiconque de passer la ligne de la porte de garage lorsqu'elle est en train de se fermer.

## INTRODUCTION

Compatible avec les accessoires myQ® et Security+ 3.0, voir page 40. Votre ouvre-porte de garage est compatible avec jusqu'à 2 panneaux de commande.

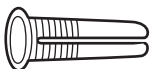
**REMARQUE :** Les anciens panneaux de commande et les produits de tiers ne sont pas compatibles.

Pour les installations d'une boîte de commande, il n'est pas nécessaire de percer des trous ou d'installer des ancrages pour cloisons sèches. Utilisez les trous existants de la boîte de commande.

**REMARQUE :** Il est possible que votre produit soit différent des illustrations.

## MATÉRIEL

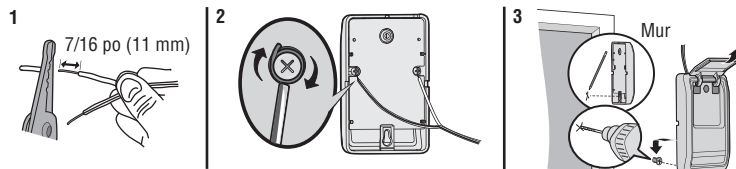
Cheilles pour cloisons sèches (2)



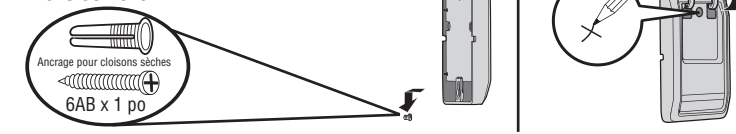
Vis 6AB x 1 po (2)



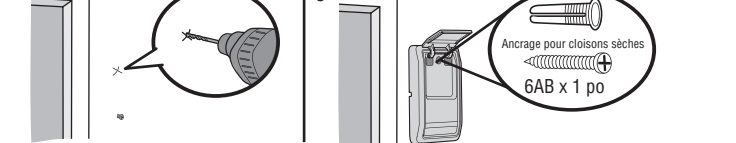
1. Dénudez 11 mm (7/16 po) d'isolant à une extrémité du fil et séparez les fils.
2. Connectez un fil à chacune des deux vis à l'arrière du panneau de commande. Les fils peuvent être connectés à l'une ou l'autre des vis.  
**INSTALLATIONS PRÉ-CÂBLÉES :** Choisissez deux fils à connecter, notez les fils utilisés afin que les bons fils soient connectés à l'ouvre-porte de garage lors d'une étape ultérieure.
3. Marquez l'emplacement du trou de montage inférieur et percez un trou de 5/32 po.
4. Installez la vis inférieure, en laissant 3 mm (1/8 po) dépasser du mur.
5. Positionnez le trou inférieur du panneau de commande sur la vis et faites-le glisser en place.
6. Soulevez la barre de poussée et marquez le trou supérieur.
7. Retirez le panneau de commande du mur et percez un trou de 5/32 po pour la vis du haut.
8. Positionnez le trou inférieur du panneau de commande sur la vis et faites-le glisser en place. Fixez la vis supérieure.



## 4-5 CLOISON SÈCHE



## 7 CLOISON SÈCHE

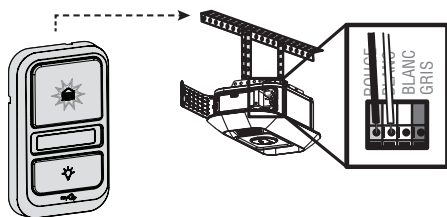


## Panneau de commande (suite)

### 2 Câblez le panneau de commande à l'ouvre-porte de garage

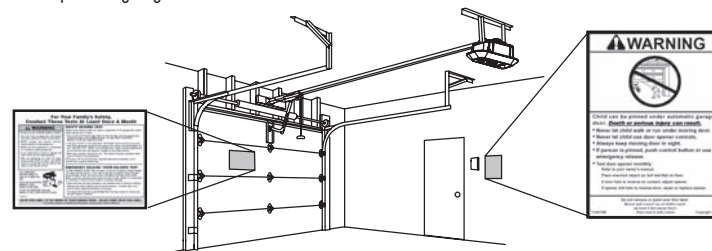
**INSTALLATIONS PRÉCÂBLÉES :** Lors du câblage du panneau de commande à l'ouvre-porte de garage, veuillez à utiliser les mêmes fils que ceux qui sont connectés au panneau de commande.

1. Faites passer le fil blanc et rouge/blanc du panneau de commande à l'ouvre-porte de garage. Fixez le fil au mur et au plafond avec l'agrafe (ne s'applique pas aux boîtes de commande ou aux installations précâblées). Ne percez pas le fil avec l'agrafe car ceci risquerait de créer un court-circuit ou un circuit ouvert.
2. Dénudez 11 mm (7/16 po) d'isolant à l'extrémité du fil, près de l'ouvre-porte de garage.
3. Connectez le fil aux bornes rouge et blanche de l'ouvre-porte de garage. Pour insérer ou libérer les fils de la borne, enfoncez la languette avec la pointe d'un tournevis.



### 3 Fixez les étiquettes d'avertissement

1. Fixez l'étiquette d'avertissement de piégeage sur le mur, près de le panneau de commande, avec des punaises ou des agrafes.
2. Fixez l'étiquette de test de déclenchement manuel/d'inversion de sécurité à un endroit visible à l'intérieur de la porte de garage.



# Installez le Protector System®

## Introduction



### AVERTISSEMENT

Vérifiez que l'alimentation n'est PAS connectée à l'ouvre-porte de garage AVANT d'installer le capteur d'inversion de sécurité.

Pour éviter des BLESSURES GRAVES voire MORTELLES en fermant la porte de garage :

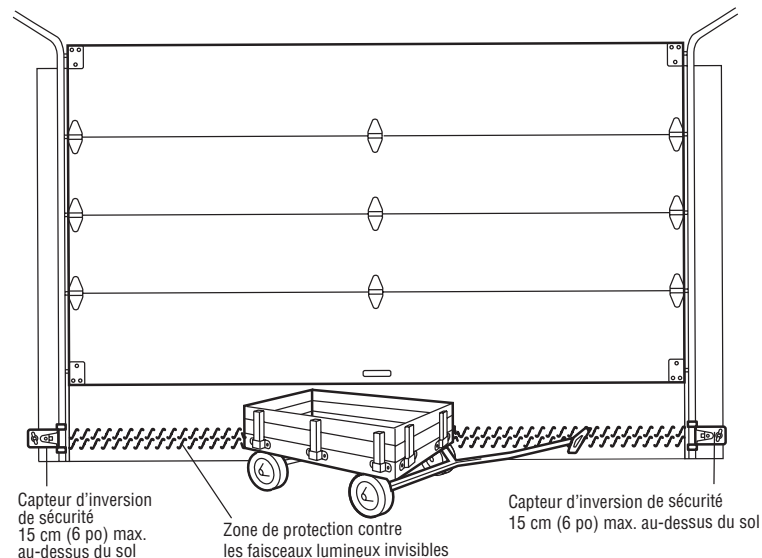
- Raccordez et alignez correctement le capteur d'inversion de sécurité. Ce dispositif de sécurité requis NE DOIT PAS être désactivé.
- Installez le capteur d'inversion de sécurité de sorte que le faisceau ne soit PAS à une HAUTEUR SUPÉRIEURE à 15 cm (6 po) du sol du garage.

**IMPORTANT : Les capteurs d'inversion de sécurité DOIVENT être connectés et alignés correctement avant que l'ouvre-porte se déplace dans le sens de la descente.**

Le Protector System® comprend deux capteurs d'inversion de sécurité qui utilisent un faisceau lumineux pour empêcher la fermeture de la porte de garage. Le capteur émetteur (DEL orange) transmet le faisceau au capteur récepteur (DEL verte) lorsque les deux sont alimentés et alignés. Si un obstacle brise le faisceau lumineux pendant la fermeture de la porte, le capteur récepteur (DEL verte) clignote, puis la porte s'arrête et retourne en position complètement ouverte.

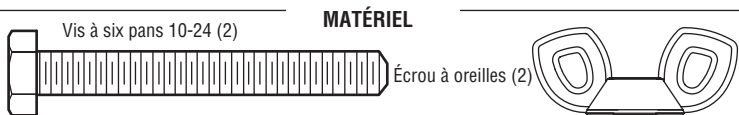
**En installant les capteurs d'inversion de sécurité, vérifiez ce qui suit :**

- Les capteurs sont installés À L'INTÉRIEUR du garage.
- Les lentilles des capteurs se font face et sont alignées à la fois horizontalement et verticalement.  
**IMPORTANT : Ne laissez pas la lumière directe du soleil atteindre le capteur récepteur (voyant à DEL vert).**
- Le capteur récepteur (DEL verte) est muni d'une étiquette sur le capteur pour l'identifier comme le capteur receveur avant qu'il soit mis en fonction.
- Le faisceau du capteur n'est PAS PLUS HAUT que 15 cm (6 po) au-dessus du sol et le faisceau lumineux n'est pas obstrué.



# Installez le Protector System® (suite)

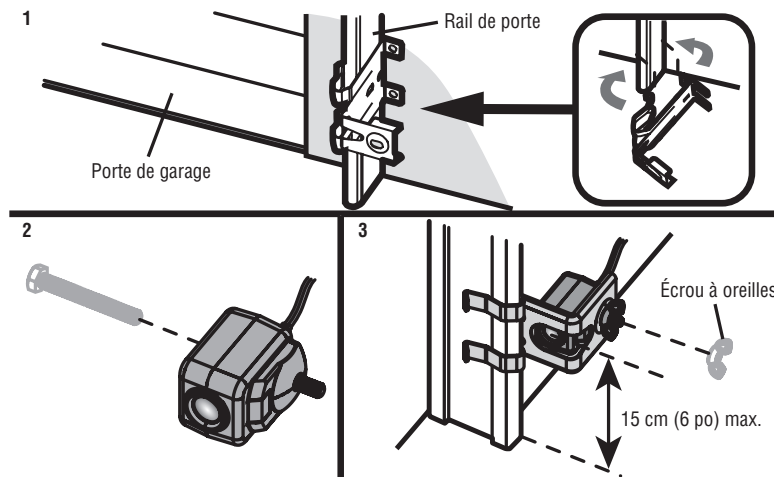
## 1 En installant les capteurs d'inversion de sécurité



Les capteurs d'inversion de sécurité sont conçus pour se clipser sur le rail de la porte avec les supports de capteur fournis. Si le rail de porte ne supporte pas le support du capteur, une installation murale est recommandée. Le faisceau du capteur ne doit PAS être à une HAUTEUR SUPÉRIEURE à 15 cm (6 po) au-dessus du sol.

### INSTALLATION DU RAIL DE PORTE

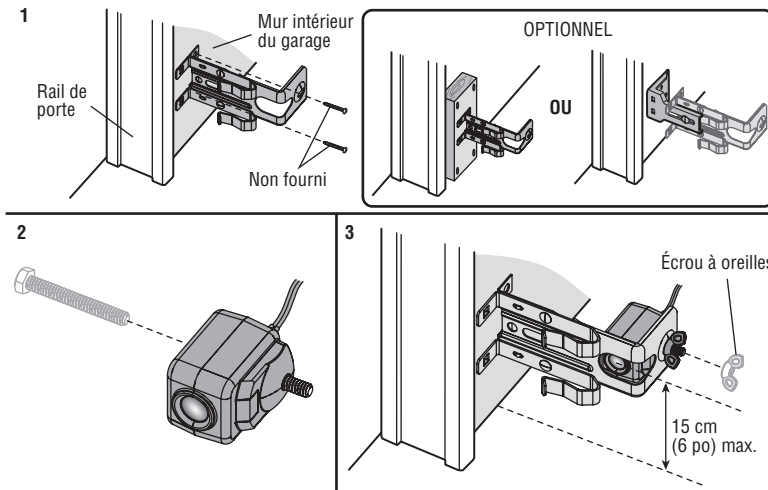
1. Faites glisser les bras incurvés du support de capteur autour du bord du rail de porte. Enclenchez-le de manière à ce que le support du capteur affleure le rail.
2. Faites glisser la vis à six pans à travers le capteur.
3. Fixez le capteur au support avec l'écrou à oreilles. Vérifiez que la lentille n'est pas obstruée par le support. Répétez les étapes avec l'autre capteur sur le rail de porte opposé. Les deux lentilles doivent se faire face.



### INSTALLATION MURALE

Assurez-vous que les supports de chaque côté sont éloignés du rail de la porte et ont le même dégagement afin que les capteurs s'alignent correctement. Si un dégagement supplémentaire est nécessaire, utilisez des supports d'extension 041A5281-1 (non fournis) ou des blocs de bois.

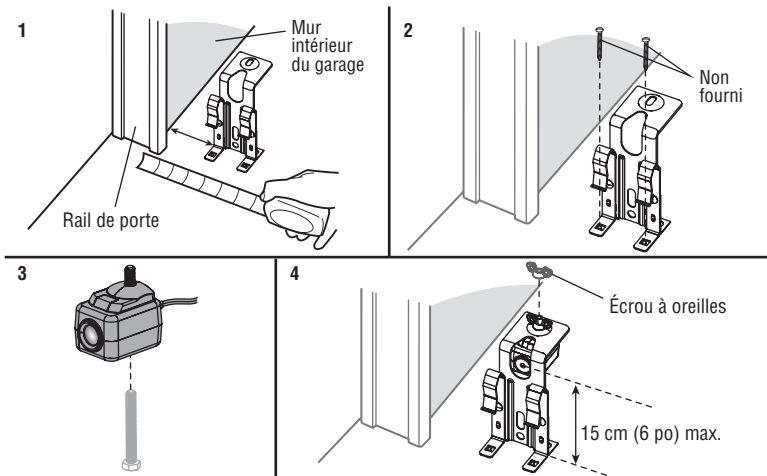
1. Fixez le support du capteur contre le mur avec deux tirefonds (non fournis).
  2. Faites glisser la vis à six pans à travers le capteur.
  3. Fixez le capteur au support avec l'écrou à oreilles. Vérifiez que la lentille n'est pas obstruée par le support.
- Répétez les étapes avec l'autre capteur sur le côté opposé de la porte de garage. Les deux lentilles doivent se faire face.



# Installez le Protector System® (suite)

## INSTALLATION AU SOL

1. Mesurez la position des deux supports de capteur afin qu'ils soient à la même distance du mur et sans obstruction.
2. Fixez le support au sol avec des chevilles à béton (non fournies).
3. Faites glisser la vis à six pans à travers le capteur.
4. Fixez le capteur au support avec l'écrou à oreilles. Vérifiez que la lentille n'est pas obstruée par le support. Répétez les étapes avec l'autre capteur sur le côté opposé de la porte de garage. Les deux lentilles doivent se faire face l'une et l'autre.

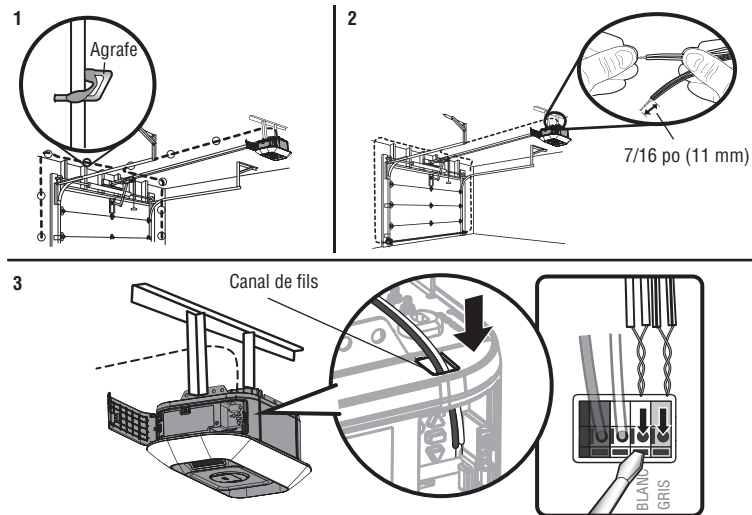


## 2 Câblez les capteurs d'inversion de sécurité

**INSTALLATIONS PRÉCÂBLÉES :** Si votre garage est déjà équipé de fils pour les capteurs d'inversion de sécurité, voir page 23.

### OPTION A - INSTALLATION SANS PRÉ-CÂBLAGE

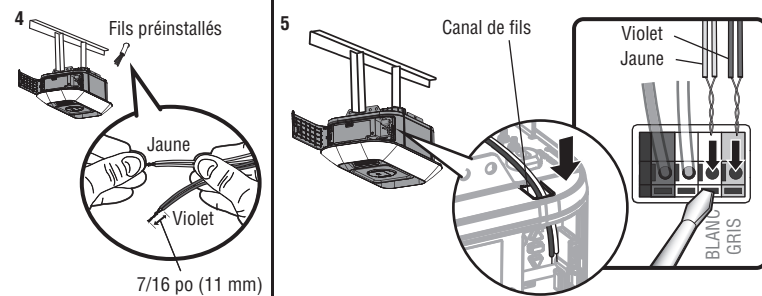
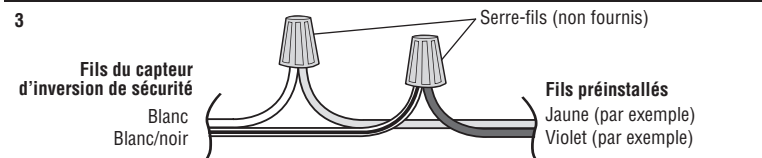
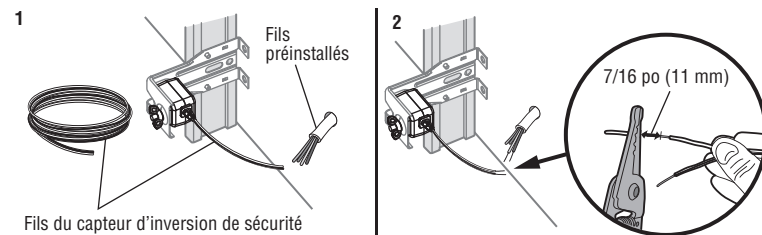
1. Faites passer le fil des deux capteurs à l'ouvre-porte de garage. Fixez avec des agrafes, mais ne percez PAS le fil.
2. Séparez les fils du capteur et dénudez l'isolant à chaque extrémité. Torsadez les deux fils blancs ensemble. Torsadez ensuite les deux fils blanc/noir ensemble.
3. À l'aide d'un tournevis, enfoncez les languettes des bornes et insérez les fils blancs dans la borne blanche. Insérez les fils blanc/noir dans la borne grise.



# Installez le Protector System® (suite)

## OPTION B - INSTALLATION PRÉCÂBLÉE

1. Coupez les fils du capteur, en vous assurant qu'il y a une longueur suffisante de fil pour atteindre les fils préinstallés du mur.
2. Séparez les fils du capteur et dénudez l'isolant à chaque extrémité. Choisissez deux des fils préinstallés et dénudez l'isolant à chaque extrémité. Choisissez les fils préinstallés de la même couleur pour chaque capteur.
3. Connectez les fils préinstallés aux fils du capteur avec des serre-fils en vous assurant que les couleurs correspondent pour chaque capteur.
4. Au niveau de l'ouvre-porte de garage, dénudez l'extrémité des fils connectés auparavant aux capteurs. Torsadez les fils de même couleur ensemble.
5. À l'aide d'un tournevis, enfoncez les languettes des bornes et insérez la couleur du fil connecté au fil blanc du capteur dans la borne blanche. Insérez l'autre couleur de fil connecté au fil blanc/noir du capteur dans la borne grise.



# Alimentation

## 1 Connectez l'alimentation



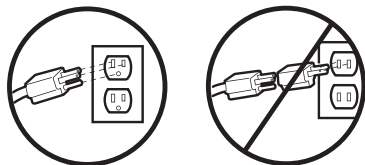
### AVERTISSEMENT

Pour éviter les risques de BLESSURES GRAVES voire MORTELLES par électrocution ou incendie :

- Assurez-vous que le courant n'est PAS connecté à l'ouvre-porte, et débranchez le courant du circuit AVANT de retirer le couvercle pour établir une connexion permanente.
- L'installation et le câblage de la porte de garage DOIVENT être conformes à TOUS les codes de l'électricité et du bâtiment locaux.
- N'utilisez JAMAIS de rallonge, d'adaptateur à 2 fils ou ne modifiez en AUCUN cas la fiche pour l'adapter à la prise. Assurez-vous que l'ouvre-porte est mis à la terre.

**Pour éviter les difficultés d'installation, assurez-vous de ne pas faire fonctionner l'ouvre-porte à ce moment-là.**

Pour réduire le risque d'électrocution, votre ouvre-porte de garage est équipé d'une fiche de type mise à la terre avec une troisième broche pour la mise à la terre. Cette fiche rentre seulement dans une prise mise à la terre. Si la fiche ne rentre pas dans la prise, communiquer avec un électricien qualifié pour faire installer une prise adéquate.

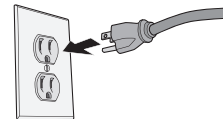


IL EXISTE DEUX OPTIONS POUR CONNECTER L'ALIMENTATION :

### OPTION A - CÂBLAGE TYPIQUE

1. Branchez l'ouvre-porte de garage dans une prise de courant mise à la terre.
2. Ne faites PAS fonctionner l'ouvre-porte de garage à ce moment-là.

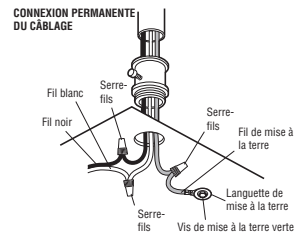
#### TYPICAL WIRING



### OPTION B - CÂBLAGE PERMANENT

**Si un câblage permanent est requis par votre code local, consultez la procédure suivante. Pour effectuer une connexion permanente à travers le trou de 7/8 pouces dans le haut de l'unité moteur (selon le code local) :**

1. Assurez-vous que l'alimentation n'est PAS connectée à l'ouvre-porte et coupez l'alimentation du circuit.
2. Retirez les vis du couvercle du bloc moteur et mettez le couvercle de côté.
3. Coupez le cordon d'alimentation à 6 pouces (15,2 cm) du haut de l'ouvre-porte de garage.
4. Retirez le détendeur.
5. Ramenez les fils du cordon d'alimentation dans l'ouvre-porte de garage.
6. Installez un conduit ou un adaptateur de câble flexible dans le trou de 7/8 de pouce.
7. Faites passer les fils permanents dans le conduit dans le trou de 7/8 de pouce. Dénudez l'isolant des extrémités de tous les fils.
8. Connectez le fil noir (ligne) au fil noir existant; le fil blanc (neutre) au fil blanc existant; et le fil de terre au fil de terre vert existant avec un capuchon de connexion. L'ouvre-porte doit être mis à la terre.
9. Fixez correctement les fils avec des attaches en plastique afin que les fils n'entrent pas en contact avec les pièces mobiles.

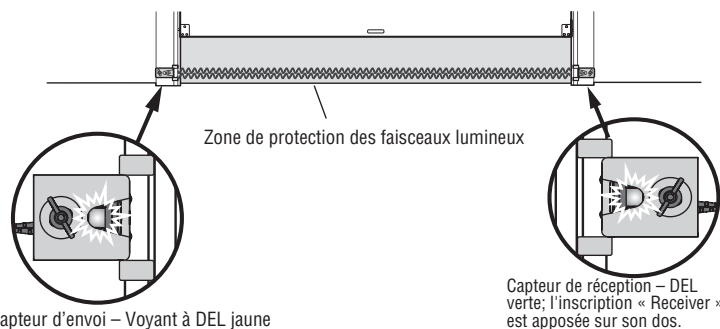


## Alimentation (suite)

### 2 Alignez les capteurs d'inversion de sécurité

**IMPORTANT :** Les capteurs d'inversion de sécurité **DOIVENT** être connectés et alignés correctement avant que l'ouvre-porte de garage fasse descendre la porte.

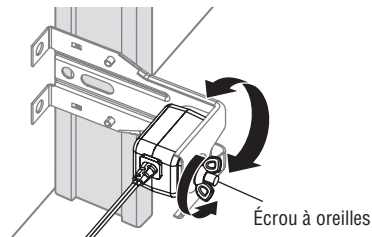
Lorsque l'ouvre-porte de garage est alimenté en électricité, vérifiez les capteurs d'inversion de sécurité. Si les capteurs sont alignés et câblés correctement, les deux voyants à DEL s'allument en continu.



#### Pour aligner les capteurs d'inversion de sécurité :

1. Desserrez les écrous à oreilles.
2. Ajustez les capteurs vers le haut ou vers le bas jusqu'à ce que les deux voyants à DEL s'allument de manière continue, indiquant l'alignement.
3. Serrez l'écrou à oreilles pour fixer le capteur.

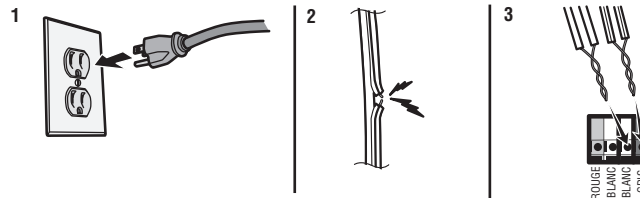
**CONSEIL :** Après avoir serré l'écrou à oreilles, remuez légèrement les supports du capteur à la main sans bloquer le faisceau pour vous assurer que les deux voyants à DEL restent allumés en permanence. Si l'œil récepteur clignote lorsque vous agitez les supports, ajustez l'alignement du capteur jusqu'à ce que le voyant à DEL émette une lueur constante avant de continuer.



### DÉPANNAGE DU CAPTEUR DE SÉCURITÉ

**Si l'un des deux voyants des capteurs est éteint, le capteur n'est pas alimenté :**

1. Vérifiez que l'ouvre-porte de garage est alimenté en électricité.
2. Vérifiez que le fil du capteur n'est pas court-circuité ou cassé.
3. Vérifiez que les capteurs sont correctement câblés; les fils blancs sur la borne blanche et les fils blanc/noir sur la borne grise.



**Si le voyant à DEL vert du capteur de réception clignote, les capteurs sont obstrués ou mal alignés :**

1. Vérifiez que le faisceau lumineux du capteur n'est pas obstrué.
2. Alignez les capteurs.
3. Si le capteur de réception (DEL verte) fait face à la lumière directe du soleil, interchangez le capteur de réception avec le capteur d'envoi et répétez 1. Installez les capteurs d'inversion de sécurité à la page 21 pour assurer un fonctionnement adéquat.

### 3 Assurez-vous que le panneau de commande est correctement câblé

Si le panneau de commande a été installé et câblé correctement, la DEL située derrière le bouton-poussoir ou l'écran LCD s'allume.

# Ajustements

## 1 Programmez le déplacement



### AVERTISSEMENT

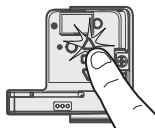
Si le capteur d'inversion de sécurité n'est pas installé correctement, les personnes (en particulier les jeunes enfants) peuvent SUBIR DES BLESSURES GRAVES ou MORTELLES par une porte de garage qui se ferme.

- Un réglage incorrect des limites de déplacement de la porte de garage empêchera le bon fonctionnement du système d'inversion de sécurité.
- Après TOUT réglage, le système d'inversion de sécurité DOIT être testé. La porte DOIT s'inverser au contact d'un objet d'une hauteur de 3,8 cm (1-1/2 po) (ou un 2x4 posé à plat) sur le sol.

Pendant la programmation du déplacement, les boutons fléchés vers le HAUT et le BAS peuvent être utilisés pour déplacer la porte selon les besoins. Pendant la configuration de la force automatique, la porte s'ouvre et se ferme automatiquement.

**Remarque :** Pendant la programmation du déplacement, les boutons fléchés vers le HAUT et le BAS peuvent être utilisés pour déplacer la porte selon les besoins. Pendant la configuration de la force automatique, la porte s'ouvre et se ferme automatiquement.

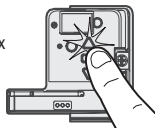
1. Appuyez sur le bouton de réglage et maintenez-le enfoncé jusqu'à ce que le bouton fléché vers le HAUT commence à clignoter et/ou qu'un bip se fasse entendre.



2. Appuyez et maintenez le bouton vers le HAUT jusqu'à ce que la porte soit dans la position HAUTE souhaitée.



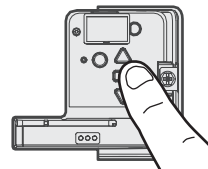
3. Une fois que la porte est dans la position HAUTE souhaitée, appuyez sur le bouton de réglage et relâchez-le. Les lumières de l'ouvre-porte de garage clignoteront deux fois et le bouton vers le BAS commencera à clignoter.



4. Appuyez et maintenez le bouton fléché vers le BAS jusqu'à ce que la porte soit dans la position BASSE souhaitée.



5. Une fois que la porte est dans la position BASSE souhaitée, appuyez sur le bouton de réglage et relâchez-le. Les lumières de l'ouvre-porte de garage clignoteront deux fois. La programmation du déplacement est maintenant terminée. Si les lampes de l'ouvre-porte de garage clignotent 5 fois, la programmation est terminée et les limites de déplacement n'ont pas été réglées. Veuillez redémarrer le processus de programmation des limites de déplacement.



## 2 Configurez de la force automatique

L'ouvre-porte entre dans une opération de détection de force en déplaçant automatiquement la porte pour l'ouvrir et la fermer. L'ouvre-porte de garage émet une alerte sonore et visuelle avant d'ouvrir et de fermer automatiquement la porte. L'ouvre-porte de garage émettra trois bips, confirmant que la configuration automatique de la force s'est déroulée avec succès. Le réglage est terminé.

Si vous entendez un long bip après que la porte ait tenté de se déplacer, cela signifie que le réglage automatique de la force ne s'est pas déroulé correctement. Veuillez recommencer à l'étape 1 de Programmez le déplacement.



**REMARQUE :** Si le processus de configuration du déplacement et de la force n'est pas achevé avec succès, aucune tentative d'activer l'ouvre-porte à partir d'une télécommande, d'une entrée sans clé ou d'une commande murale ne fonctionnera et l'ouvre-porte fera clignoter les lampes de d'éclairage 2 fois.

## Réglages (suite)

### 3 Faites un testez pour vérifier le système d'inversion de sécurité.

#### AVERTISSEMENT

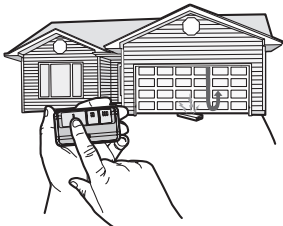
Si le capteur d'inversion de sécurité n'est pas installé correctement, les personnes (en particulier les jeunes enfants) peuvent SUBIR DES BLESSURES GRAVES ou MORTELLES par une porte de garage qui se ferme.

- Le système d'inversion de sécurité DOIT être testé tous les mois.
- Après TOUT réglage, le système d'inversion de sécurité DOIT être testé. La porte DOIT s'inverser au contact d'un objet de 4 cm (1 1/2 po) de haut (ou un 2x4 posé plat) sur le sol.

1. La porte étant complètement ouverte, placez une planche de 1,5 po (3,8 cm) (ou un 2x4 posé à plat) sur le sol, centrée sous la porte du garage.



2. Appuyez sur le bouton poussoir de la télécommande pour fermer la porte. La porte DOIT s'inverser lorsqu'elle entre en contact avec la planche.



Si la porte s'arrête, mais ne se rouvre pas :

1. Répétez la programmation du déplacement (voir l'étape de réglage 1);  
**REMARQUE :** L'application d'un peu plus de pression sur le bourrelet de la porte peut permettre aux systèmes d'inversion de sécurité d'être réglés correctement.
2. Répétez le test d'inversion de sécurité.

Si le test continue d'échouer, appelez un technicien qualifié en systèmes de portes.

**REMARQUE :** Il est normal que le chariot soulève légèrement le rail avec une limite de fermeture correctement réglée. S'assurer que la porte est complètement fermée offrira la meilleure occasion pour tester le système de renversement de sécurité.

### 4 Testez le Protector System®

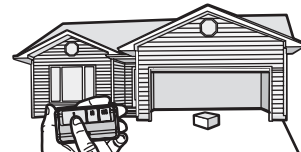
#### AVERTISSEMENT

Si le capteur d'inversion de sécurité n'est pas installé correctement, les personnes (en particulier les jeunes enfants) peuvent SUBIR DES BLESSURES GRAVES ou MORTELLES par une porte de garage qui se ferme.

1. Ouvrez la porte. Placez un obstacle sur le chemin de la porte.



2. Appuyez sur le bouton poussoir de la télécommande pour fermer la porte. La porte ne bougera pas de plus de 1 po (2,5 cm).



L'ouvre-porte de garage ne se fermera pas à partir d'une télécommande si le voyant de l'un ou l'autre des capteurs est éteint ou clignote (ce qui vous avertit du fait que le capteur est mal aligné ou obstrué).

# Batterie de secours\*

## 1 Installez la batterie de secours



### AVERTISSEMENT

Pour réduire les risques d'INCENDIE ou de BLESSURE CORPORELLE :

- Débranchez TOUTE l'alimentation électrique et la batterie AVANT d'effectuer un entretien ou des réparations.

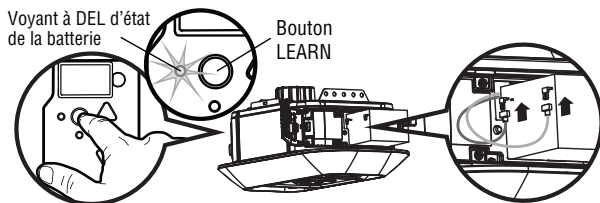


### ATTENTION

Portez TOUJOURS des gants et des lunettes de protection lors du changement de la batterie ou lors de travaux près du compartiment de la batterie.

La batterie de secours de 12 V permet d'entrer et de sortir de votre garage, même en cas de panne de courant. Il n'est pas nécessaire que la batterie soit complètement chargée pour faire fonctionner l'ouvre-porte de garage. Lorsque l'ouvre-porte de garage fonctionne sur batterie, il pourrait fonctionner plus lentement, et les fonctions suivantes sont désactivées :

- Compatibilité des ouvre-portes de garage
  - Commande et surveillance avec l'application myQ®
  - Fermeture sans surveillance, y compris la fermeture programmée.
1. Débranchez l'ouvre-porte de garage.
  2. Utilisez un tournevis cruciforme pour retirer le panneau latéral de l'ouvre-porte de garage.
  3. Insérez partiellement la batterie dans son compartiment, les bornes vers l'extérieur.
  4. Connectez les fils rouge (+) et noir (-) de l'ouvre-porte de garage aux bornes correspondantes de la batterie.
  5. Remettez en place le couvercle de la batterie.
  6. Branchez l'ouvre-porte du garage.
  7. Attendez que le voyant à DEL vert d'état de la batterie commence à clignoter avant de procéder au test de la batterie.



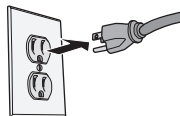
\* Le cas échéant.

## 2 Testez la batterie

Selon le niveau de puissance, il se peut que la batterie doive être rechargée avant d'effectuer le test. L'ouvre-porte de garage doit être débranché pour tester la batterie.

1. Ouvrez et fermez la porte à l'aide de la télécommande ou de l'ouvre-porte. Pendant que le moteur est en marche, le voyant à DEL d'état de la batterie s'allume en orange fixe, indiquant que l'ouvre-porte fonctionne sur la batterie, ou clignote pour indiquer que la batterie est faible.  
*REMARQUE : Si la batterie n'est pas complètement chargée, l'ouvre-porte de garage pourrait fonctionner plus lentement.*
2. Branchez l'ouvre-porte du garage. Vérifiez que le voyant à DEL de la batterie clignote en vert, indiquant que la batterie est en cours de chargement.

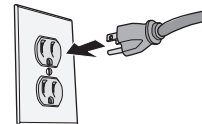
1



2



3



## 3 Chargez la batterie

La batterie se charge lorsque l'ouvre-porte de garage est branché dans une prise électrique de 120 Vca qui a du courant et il faut 24 heures pour la charger complètement. Une batterie entièrement chargée fournit 12 VCC à l'ouvre-porte de garage pour un maximum de 24 heures de fonctionnement normal pendant une panne de courant. Suite au rétablissement du courant électrique, la batterie se recharge en 24 heures. La batterie durera environ 1 à 2 ans dans des conditions normales d'utilisation.

Les instructions de remplacement sont fournies avec la batterie. Pour obtenir une durée de vie maximale de la batterie et éviter tout dommage, débranchez-la lorsque l'ouvre-porte de garage est débranché pendant une période prolongée, par exemple à votre chalet.

## Batterie de secours\* (suite)

### Voyant à DEL d'état de la batterie

#### DEL VERTE:

Tous les systèmes sont normaux.

- Un voyant à DEL vert indique que la batterie est entièrement chargée.
- Un voyant à DEL vert clignotant indique que la batterie est en cours de chargement.

#### DEL ORANGE:

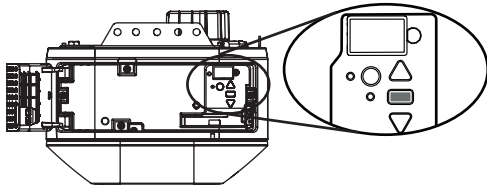
L'ouvre-porte de garage n'est plus alimenté et fonctionne avec la batterie en mode secours.

- Voyant à DEL orange fixe lorsque le moteur est en marche indique que l'ouvre-porte de garage fonctionne sur batterie.
- Un voyant à DEL orange clignotant lorsque le moteur est en marche indique que la batterie est faible.
- Lorsqu'il fonctionne sur batterie, l'ouvre-porte émet un bip toutes les 2 secondes.

#### DEL ROUGE:

La batterie doit être remplacée.

- Un voyant rouge indique que la batterie ne peut plus être rechargée. Achetez une batterie de remplacement pour permettre à votre système de fonctionner lors de panne d'électricité.



\* Le cas échéant.

### Consignes de sécurité importantes



#### **Pour réduire le risque de BLESSURES GRAVES voire MORTELLES :**

1. LISEZ ET SUIVEZ TOUS LES AVERTISSEMENTS ET TOUTES LES INSTRUCTIONS D'INSTALLATION.
2. Gardez TOUJOURS les télécommandes hors de portée des enfants. Ne permettez JAMAIS aux enfants de manipuler ou de jouer avec les boutons-poussoirs ou les télécommandes de la porte de garage.
3. N'activez la porte du garage QUE lorsqu'elle est bien visible, qu'elle est correctement réglée et qu'il n'y a pas d'obstacles à son déplacement.
4. Gardez TOUJOURS la porte de garage en vue et les personnes et les objets à l'écart jusqu'à ce qu'elle soit complètement fermée. NE TRAVERSEZ JAMAIS LA PORTE LORSQU'ELLE EST EN MOUVEMENT. PERSONNE NE DEVRAIT PASSER SOUS UNE PORTE ARRÊTÉE OU PARTIELLEMENT OUVERTE.
6. Dans la mesure du possible, utilisez UNIQUEMENT la poignée de déclenchement d'urgence pour désengager le chariot lorsque la porte du garage est FERMÉE. Soyez prudent lorsque vous utilisez cette poignée pendant que la porte est ouverte. Des ressorts abîmés ou une porte incorrectement équilibrée pourraient entraîner une chute rapide ou inattendue d'une porte ouverte et augmenter le risque de BLESSURE GRAVE ou FATALE.
7. N'utilisez JAMAIS la poignée de déclenchement d'urgence avant que toutes les personnes et les obstacles soient hors de sa trajectoire.
8. N'utilisez JAMAIS la poignée pour ouvrir ou fermer la porte du garage. Si le nœud de la corde se défait, vous risquez de tomber.
9. Après TOUT réglage, le système d'inversion de sécurité DOIT être testé.
10. Le système d'inversion de sécurité DOIT être testé tous les mois. La porte DOIT s'inverser au contact d'un objet de 3,8 cm de haut (ou 2x4 posé à plat) sur le sol. Une installation inadéquate de l'ouvre-porte de garage augmente le risque de BLESSURE GRAVE ou MORTELLE.
11. GARDEZ TOUJOURS LA PORTE DE GARAGE BIEN ÉQUILIBRÉE (voir page 4). Une porte mal équilibrée risque de ne PAS s'inverser lorsque cela est nécessaire et pourrait entraîner des BLESSURES GRAVES voir MORTELLES.
12. TOUTES les réparations de câbles, ressorts et autre quincaillerie, qui sont TOUS soumis à une tension EXTRÊME, DOIVENT être effectuées par un technicien en systèmes de portes qualifié.
13. Pour éviter les interférences avec le bon fonctionnement de l'ouvre-porte de garage, lorsque vous utilisez une machine à souder dans le garage, débranchez l'ouvre-porte de garage avant de faire fonctionner la machine à souder.
14. Ce système de commande est équipé d'une fonction de fonctionnement sans surveillance. La porte pourrait bouger de façon inattendue. NE TRAVERSEZ JAMAIS LA PORTE LORSQU'ELLE EST EN MOUVEMENT.
15. Ne l'installez PAS sur une porte monopiece si vous utilisez des dispositifs ou des fonctionnalités permettant une fermeture sans surveillance. Les dispositifs et fonctionnalités sans surveillance doivent être utilisés UNIQUEMENT avec des portes sectionnelles.

#### **16. CONSERVEZ CES INSTRUCTIONS.**

# Mode d'emploi (suite)

## Caractéristiques

Votre ouvre-porte de garage est équipé de fonctions qui vous permettent de mieux contrôler le fonctionnement de votre porte de garage.

### ALERT2CLOSE

La fonction Alert2Close fournit une alerte visuelle et sonore indiquant qu'une porte non surveillée est en train de se fermer.

### MINUTERIE DE FERMETURE (TTC)\* – TÉLÉCHARGEZ L'APPLICATION MYQ POUR UTILISER CETTE FONCTION

La fonction TTC ferme automatiquement la porte après une période de temps déterminée qui peut être réglée à l'aide d'un panneau de commande TTC (modèles L958W ou L957W). Avant et pendant la fermeture de la porte, les lumières de l'ouvre-porte de garage clignotent et l'ouvre-porte de garage émet un bip.

### APPLICATION MYQ (VOIR PAGE 1 POUR TÉLÉCHARGER L'APPLICATION)

myQ® vous permet de commander et de sécuriser votre porte de garage avec votre appareil mobile, où que vous soyez. Connectez votre ouvre-porte de garage à votre réseau Wi-Fi® et accédez à votre compte myQ® pour avoir un contrôle total de votre garage.

### LE PROTECTOR SYSTEM® (CAPTEURS D'INVERSION DE SÉCURITÉ)

Lorsqu'ils sont connectés et alignés correctement, les capteurs d'inversion de sécurité détectent une obstruction dans la trajectoire du faisceau infrarouge. Si un obstacle brise le faisceau infrarouge pendant la fermeture de la porte, la porte s'arrête, puis retourne en position complètement ouverte. Si la porte est complètement ouverte et que les capteurs d'inversion de sécurité ne sont pas installés ou sont mal alignés, la porte ne se fermera pas à l'aide d'une télécommande. Cependant, vous pouvez fermer la porte si vous maintenez le bouton de la commande de la porte ou du système d'accès sans clé jusqu'à ce que la porte soit complètement fermée. Les capteurs d'inversion de sécurité n'affectent pas le cycle d'ouverture. Pour plus d'informations, voir la page 21.

### LUMIÈRES

Les voyants DEL intégrés de l'ouvre-porte de garage s'allument lorsque l'ouvre-porte est initialement branché, lorsque le courant est rétabli après une interruption ou lorsque l'ouvre-porte de garage est activé. Les lumières s'éteignent automatiquement après 4 minutes et demie.

## UTILISATION DE VOTRE OUVRE-PORTE DE GARAGE

Lorsque la porte est fermée et que l'ouvre-porte de garage est activé, la porte s'ouvre. Si la porte entre en contact avec un obstacle pendant l'ouverture, la porte s'arrête, l'ouvre-porte émet des bips et les lumières clignotent 5 fois. Lorsque la porte est dans une position autre que fermée et que l'ouvre-porte de garage est activé, la porte se ferme. Si la porte de garage entre en contact avec un obstacle pendant la fermeture, la porte s'inverse, l'ouvre-porte émet des bips et les lumières clignotent 5 fois.

Les capteurs d'inversion de sécurité n'affectent pas le cycle d'ouverture. Le capteur d'inversion de sécurité doit être connecté et aligné correctement avant que l'ouvre-porte de garage fasse descendre la porte.

Cependant, vous pouvez fermer la porte si vous maintenez le bouton de la commande de la porte ou du système d'accès sans clé jusqu'à ce que la porte soit complètement fermée.

### BATTERIE DE SECOURS\*

La batterie de secours de 12 V permet d'entrer et de sortir de votre garage, même en cas de panne de courant. Lorsque l'ouvre-porte de garage fonctionne sur batterie, l'ouvre-porte de garage fonctionnera plus lentement, la lumière ne fonctionnera pas, le voyant DEL d'état de la batterie sera orange fixe et un bip retentira toutes les 2 secondes environ.

### CAMÉRA\*

Diffusez en direct ce qui se passe dans votre garage grâce à la caméra intégrée à l'ouvre-porte. Il suffit de connecter votre ouvre-porte au Wi-Fi et de créer un compte dans l'application myQ®. Pour plus d'informations, voir la page 32.

\* Le cas échéant

# Mode d'emploi (suite)

## Connectez-vous avec votre téléphone intelligent

### IL VOUS FAUDRA :

- Téléphone intelligent, tablette ou ordinateur portable compatible avec le Wi-Fi®
- Une connexion Internet à large bande
- Un signal Wi-Fi® dans le garage (2,4 GHz, 802.11 b/g/n requis), voir pa, voir page 4
- Le mot de passe pour votre réseau domestique (compte principal du routeur, pas celui du réseau pour invités)
- Le numéro de série myQ® situé sur l'ouvre-porte de garage

### TÉLÉCHARGEZ L'APPLICATION myQ® POUR CRÉER UN COMPTE ET VOUS CONNECTER

Ouvrez et fermez votre porte, recevez des alertes et définissez des horaires à partir de n'importe où. Les ouvre-portes de garage intelligents connectés reçoivent également des mises à jour logicielles afin de garantir que l'ouvre-porte dispose des dernières fonctionnalités opérationnelles. L'ouvre-porte de garage doit effectuer un cycle complet avant d'activer la programmation Wi-Fi®.

1. Téléchargez l'application myQ®.
2. Créez un compte et connectez-vous.

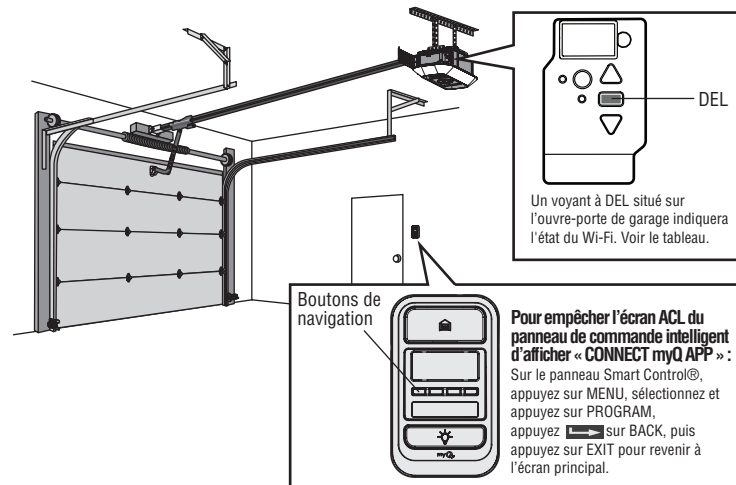
Si vous avez déjà installé l'application myQ® :

1. Vérifiez que votre appareil mobile dispose de la version la plus récente du logiciel.
2. Téléchargez la dernière version de l'application myQ®.



Pour plus d'information sur la connexion de votre ouvre-porte de garage, consultez le site support.chamberlaingroup.com.

Google Play et le logo Google Play sont des marques de commerce de Google LLC. L'App Store et les logos Apple et App Store sont des marques commerciales d'Apple Inc.



État du Wi-Fi	
DEL	Définition
Bleu	<b>Éteint</b> – Le Wi-Fi® n'est pas activé. <b>Clignotant</b> – L'ouvre-porte de garage est en mode d'apprentissage Wi-Fi®. <b>Fixe</b> – L'appareil mobile est connecté à l'ouvre-porte de garage.
Bleu et vert	<b>Clignotant</b> – Tentative de connexion au routeur.
Vert	<b>Clignotant</b> – Tentative de connexion au serveur Internet. <b>Fixe</b> – Le Wi-Fi® a été configuré et l'ouvre-porte de garage est connecté à Internet.

#### REMARQUES :

L'application myQ® NE FONCTIONNE PAS si l'ouvre-porte de garage fonctionne sur batterie.  
Pour effacer les paramètres Wi-Fi de l'ouvre-porte, voir page 36.

## Mode d'emploi (suite)

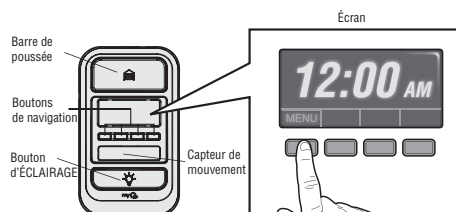
### Utilisation du panneau de commande (Modèles 6690, 4690)

#### SYNCHRONISEZ LE PANNEAU DE COMMANDE

Pour synchroniser le panneau de commande à l'ouvre-porte du garage, appuyez sur la barre de poussée jusqu'à ce que l'ouvre-porte du garage se mette en fonction (cela peut prendre jusqu'à 3 poussées). Testez le panneau de commande en appuyant sur la barre de poussée, chaque poussée sur la barre de poussée activera l'ouvre-porte du garage.

**REMARQUE :** Il est possible que votre panneau de commande soit différent des illustrations.

Il est possible de raccorder à l'ouvre-porte de garage jusqu'à 2 Smart Control Panels® ou 4 de tout autre panneau de commande Security+ 2.0.



#### BARRE DE POUSSÉE

Appuyez sur la barre de poussée pour ouvrir ou fermer la porte.

#### BOUTONS DE NAVIGATION

Les boutons de navigation permettent d'effectuer des sélections et de programmer des fonctions.

#### BOUTON D'ÉCLAIRAGE

Allume ou éteint les lumières de l'ouvre-porte de garage. Lorsque les lumières sont allumées, elles resteront allumées jusqu'à 3 heures à moins que l'une des situations suivantes ne se produise : le bouton de lumière est de nouveau pressé pour l'éteindre ou l'ouvre-porte de garage est activé pour ouvrir ou fermer la porte. Dans le cas de l'opération de la porte, la lumière s'éteindra après l'expiration de la durée de minuteur sélectionnée (le paramètre réglé en usine est de 4 minutes et demie).

#### ÉCRAN\*

L'écran affiche l'heure et la température jusqu'à ce que vous appuyiez sur la touche Menu, puis il affiche les options du menu. S'il y a un problème avec l'ouvre-porte de garage, l'écran affiche le code de diagnostic. Reportez-vous à la section Dépannage.

#### APPRENTISAGE D'UN APPAREIL

Programmez les télécommandes compatibles, les systèmes d'entrées sans clé et sans fil, les ouvre-portes de garage Wi-Fi ou les accessoires myQ® sur l'ouvre-porte de garage.

#### VERROU

La fonction LOCK est conçue pour empêcher l'activation de l'ouvre-porte de garage à partir de télécommandes tout en permettant l'activation à partir du panneau de commande et du système d'entrée sans clé. Cette fonction est utile pour une plus grande tranquillité d'esprit lorsque la maison est vide (par ex. pour les vacances).

#### MINUTERIE DE FERMETURE (TTC)\* – TÉLÉCHARGEZ MYQ

N'activez PAS la minuterie de fermeture si vous utilisez une porte en une seule pièce (monobloc). La minuterie de fermeture doit être utilisée UNIQUEMENT avec des portes sectionnelles. La valeur par défaut est désactivée. La minuterie de fermeture peut être réglée pour fermer automatiquement votre porte de garage à partir de la position complètement ouverte après une période de temps spécifiée (intervalles de 1, 5, 10 minutes ou un réglage personnalisé jusqu'à 99 minutes). Le panneau de commande émet un **bip** et les lumières de l'ouvre-porte de garage **clignotent** avant la fermeture de la porte. L'écran du panneau de commande peut afficher l'état du TTC. La minuterie de fermeture ne fonctionnera pas si l'ouvre-porte de garage fonctionne sur batterie ou si les capteurs d'inversion de sécurité sont mal alignés. Cette fonction n'est PAS destinée à être la principale méthode de fermeture de la porte. **Une entrée sans clé doit être installée en cas de verrouillage accidentel lors de l'utilisation de cette fonction.**

#### LUMIÈRE AUTOMATIQUE

##### Détecteur de mouvement\*

La valeur par défaut est activée. Cette fonction permet d'allumer automatiquement les lumières de l'ouvre-porte de garage lorsqu'un mouvement est détecté. Les lampes s'allument pendant la période définie, puis s'éteignent. Si vous utilisez la lampe de l'ouvre-porte de garage comme lampe de travail, désactivez le détecteur de mouvement, sinon la lampe s'éteindra automatiquement si vous êtes hors de portée du détecteur.

#### ALERTE D'ENTRETIEN (MAS)

Cette fonction permet au propriétaire de s'assurer que le système d'ouverture de la porte de garage reste en bon état de fonctionnement.

Lorsque l'ouvre-porte de garage nécessite un entretien (environ 4500 cycles de l'ouvre-porte) les voyants à DEL de la commande (jaune) et de l'entretien (rouge) commenceront à clignoter en alternance. Le réglage par défaut pour le MAS est à l'arrêt et peut être activé lors de l'installation. Communiquez avec votre revendeur pour l'entretien.

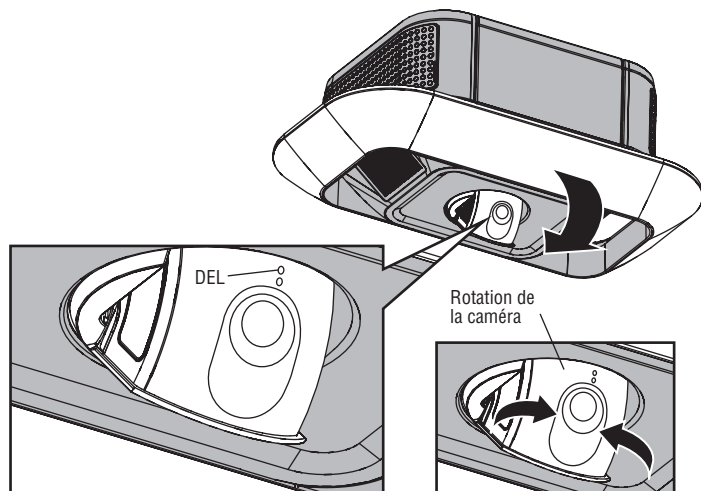
\* Le cas échéant

## Mode d'emploi (suite)

### Configuration de la caméra – Modèles 6690, 6580, 4690

1. Téléchargez l'application myQ® et créez votre compte si vous ne l'avez pas encore fait. Voir page 32.
2. Suivez les instructions de l'application pour configurer et utiliser la caméra.

La caméra s'allume lorsqu'elle est ouverte et s'éteint lorsqu'elle est fermée.



État de la caméra	
Voyant à DEL	Définition
Bleu clignotant	La caméra tente de se connecter à l'appareil mobile.
Bleu fixe	La caméra est connectée à l'appareil mobile.
Bleu et vert clignotant	La caméra tente de se connecter au routeur.
Vert clignotant	La caméra est connectée au routeur et tente de se connecter au serveur myQ®.
Vert fixe	La caméra est connectée et fonctionne normalement.
Blanc fixe	La caméra s'allume.
Rouge clignotant	La caméra surchauffe
Violet clignotant	Le micrologiciel de la caméra est en cours de mise à jour.

# Mode d'emploi (suite)

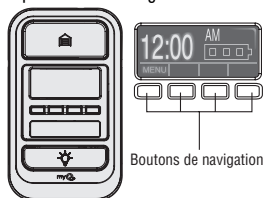
## Utiliser le panneau de commande Smart Control Panel®\*

### CONFIGURATION

Les fonctions du panneau de commande peuvent être programmées par une série de menus sur l'écran et les boutons de navigation. Voir les descriptions ci-dessous.

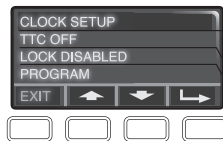
### ÉCRAN

L'écran principal affiche l'heure, la température et la charge actuelle de la batterie (le cas échéant).



### CARACTÉRISTIQUES

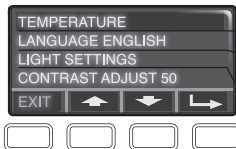
Appuyez sur le bouton de navigation situé sous MENU pour afficher le menu des fonctions.



- Réglez l'heure, choisissez une horloge de 12 ou 24 heures et affichez/masquez l'horloge.
- Pour les portes sectionnelles **UNIQUEMENT**. Activez ou désactivez la fonction TTC et définissez l'intervalle de temps avant que la porte ne se ferme.  
**REMARQUE** : N'activez **PAS** la fonction TTC si vous utilisez une porte monobloc. La fonction TTC doit être utilisée **UNIQUEMENT** avec les portes sectionnelles.
- Activez/désactivez le verrouillage.
- Configurez le Wi-Fi\*, ajoutez des télécommandes, des appareils myQ® ou un bouton de télécommande supplémentaire pour commander les lumières de votre ouvre-porte de garage ou un système d'accès sans clé.
- \* L'ouvre-porte de garage doit effectuer un cycle complet avant d'activer la programmation Wi-Fi®.

### LES PARAMÈTRES

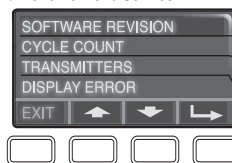
Appuyez sur le bouton de navigation sous la flèche vers le bas jusqu'à ce que vous voyiez TEMPERATURE pour afficher le menu Paramètres.



- Affichage de la température en degrés Fahrenheit ou Celsius et affichage/masquage de la température.
- Sélectionnez une langue.
- Réglez la durée pendant laquelle la lumière de l'ouvre-porte de garage doit rester allumée après le fonctionnement; la plage sélectionnable est de 1-1/2 à 4-1/2 minutes. Désactivez ou activez le capteur de mouvement et désactivez ou activez l'éclairage d'entrée.
- Pour régler le contraste de l'écran.

### ENTRETIEN

Appuyez sur le bouton LIGHT et maintenez-le enfoncé, puis appuyez sur le deuxième bouton de navigation pour afficher le menu Service.



- Affiche des informations sur la version du logiciel.
- Pour activer/désactiver l'alerte de maintenance (MAS).
- Affiche le nombre de télécommandes, de dispositifs myQ®, de panneaux de commande et d'entrées sans clé actuellement programmés pour faire fonctionner l'ouvre-porte de garage.
- Affiche les erreurs qui se sont produites.

### Télécommande

La télécommande a été programmée en usine pour fonctionner avec votre ouvre-porte de garage.

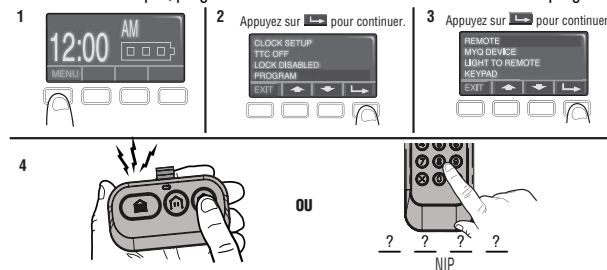
### POUR AJOUTER, REPROGRAMMER OU MODIFIER UNE TÉLÉCOMMANDE OU UN SYSTÈME D'ENTRÉE SANS CLÉ À L'AIDE DU PANNEAU DE COMMANDE

- Appuyez sur le bouton de navigation situé sous MENU pour afficher le menu des fonctions.
- Utilisez les boutons de navigation pour faire défiler jusqu'à « PROGRAM » (Programme).
- Sélectionner « REMOTE » (Télécommande) ou « KEYPAD » (Clavier) pour programmer à partir du menu PROGRAM.
- Télécommande** : Appuyez sur le bouton de la télécommande que vous voulez utiliser pour faire fonctionner votre porte de garage.

**Entrée sans clé** : Entrez un numéro d'identification personnel (NIP) de 4 à 8 chiffres de votre choix sur le clavier du dispositif d'entrée sans clé. Appuyez ensuite sur le bouton MAISON.

Les lumières de l'ouvre-porte de garage clignoteront (ou vous entendrez deux clics) lorsque le code est programmé.

Refaites les étapes pour programmer des télécommandes ou des dispositifs d'entrée sans clé supplémentaires. Si la programmation n'aboutit pas, programmez la télécommande à l'aide de la touche de programmation.

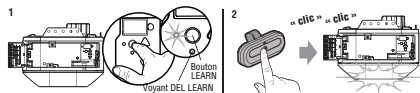


## Mode d'emploi (suite)

### PROGRAMMATION À L'AIDE DU BOUTON LEARN (APPRENTISSAGE) DE L'OUVRE-PORTE DE GARAGE

1. Localisez le bouton LEARN (Apprentissage).
2. Appuyez et relâchez immédiatement le bouton LEARN. Le voyant à DEL correspondant restera allumé pendant 30 secondes.
3. Télécommande : Appuyez et maintenez le bouton de la télécommande que vous voulez utiliser.  
Entrée sans clé : Entrez un numéro d'identification personnel (NIP) de 4 à 8 chiffres de votre choix sur le clavier du dispositif d'entrée sans clé. Ensuite, appuyez et maintenez le bouton MAISON.

Relâchez le bouton lorsque les lumières de l'ouvre-porte de garage clignotent ou que vous entendez deux clics.



### AJOUTER UNE TÉLÉCOMMANDE OU UNE ENTRÉE SANS CLÉ À L'AIDE DU PANNEAU DE COMMANDE DE DÉTECTION DE MOUVEMENT

1. Soulevez la barre de poussée. Appuyez deux fois sur le bouton LEARN (Apprentissage) (après la deuxième pression, le voyant à DEL du panneau de commande de la porte émet des impulsions répétées).
- 2a. Appuyez sur le bouton de la télécommande que vous possédez et maintenez-le enfoncé pendant 30 secondes. Relâchez le bouton lorsque les lumières de l'ouvre-porte de garage clignotent et/ou que deux clics se font entendre.
- 2b. Dans les 30 secondes, entrez un numéro d'identification personnel (NIP) de 4 à 8 chiffres de votre choix. Appuyez sur le bouton MAISON et maintenez-le enfoncé jusqu'à ce que les lumières de l'ouvre-porte de garage clignotent et/ou que deux clics se fassent entendre.

EFFECTUEZ UN TEST : Pour ouvrir l'ouvre-porte de garage, appuyez sur le bouton de la télécommande que vous avez programmé. L'ouvre-porte de garage devrait s'activer. S'il ne le fait pas, répétez les étapes de programmation. Sinon, lorsque la porte du garage est fermée, entrez le NIP que vous avez programmé et appuyez sur le bouton MAISON. La porte de garage s'ouvrira alors. Si elle ne s'ouvre pas, répétez les étapes de programmation.

### Pour effacer la mémoire

#### EFFACER TOUTES LES TÉLÉCOMMANDES ET LES ENTRÉES SANS CLÉS

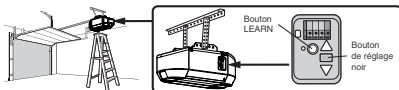
1. Appuyez et maintenez le bouton LEARN (Apprentissage) sur l'ouvre-porte jusqu'à ce que le voyant à DEL LEARN s'éteigne (environ 6 secondes). Tous les codes de télécommandes et des entrées sans clé sont maintenant effacés. Reprogrammez tout accessoire que vous voulez utiliser.

#### EFFACER TOUTS LES APPAREILS Y COMPRIS LES ACCESSOIRES COMPATIBLES AVEC myQ®

1. Appuyez sur le bouton LEARN et maintenez-le enfoncé sur l'ouvre-porte jusqu'à ce que le DEL s'éteigne (environ 6 secondes).
2. Appuyez immédiatement sur le bouton LEARN (apprentissage) et maintenez-le enfoncé jusqu'à ce que le DEL s'éteigne. Tous les codes sont maintenant supprimés. Reprogrammez tout accessoire que vous voulez utiliser.

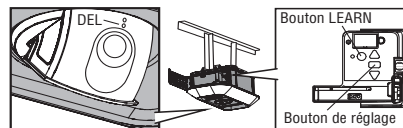
#### SUPPRIMER LA CONNEXION DE L'OUVRE-PORTE DE GARAGE DU RÉSEAU Wi-Fi® DE LA MAISON

1. Appuyez sur le bouton de réglage noir de l'ouvre-porte de garage et maintenez-le enfoncé jusqu'à ce que vous entendiez 3 bips (env. 6 secondes).



### SUPPRIMER LES RÉGLAGES DE LA CAMÉRA

1. Appuyez sur le bouton de réglage noir de l'ouvre-porte de garage et maintenez-le enfoncé jusqu'à ce que vous entendiez 3 bips (environ 6 secondes). Le voyant à DEL s'éteindra puis clignotera en rouge. Vous devrez configurer à nouveau l'ouvre-porte de garage et la caméra après l'avoir réinitialisé.



### Pour ouvrir la porte manuellement

## ⚠ AVERTISSEMENT

Pour éviter d'éventuelles BLESSURES GRAVES voire MORTELLES causées par une porte de garage qui tombe :

- Dans la mesure du possible, utilisez UNIQUEMENT la poignée de déclenchement d'urgence pour débrayer le chariot lorsque la porte du garage est FERMÉE. Des ressorts faibles ou cassés, ou une porte déséquilibrée peuvent entraîner une chute rapide et/ou inattendue d'une porte ouverte.
- N'utilisez JAMAIS la poignée de déclenchement d'urgence avant que toutes les personnes et les obstacles soient hors de sa trajectoire.
- N'utilisez JAMAIS la poignée pour ouvrir ou fermer la porte. Si le nœud de la corde se défait, vous risquez de tomber.

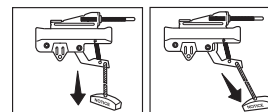
### DÉCONNECTER LE CHARIOT

1. Si possible, la porte devrait être complètement fermée.
2. Tirez sur la poignée de déverrouillage d'urgence.

### RECONNECTER LE CHARIOT

Le dispositif de verrouillage empêche le chariot de se reconnecter automatiquement.

1. Tirez la poignée de déverrouillage d'urgence vers le bas et l'arrière (vers l'ouvre-porte de garage). La porte de garage peut alors être levée et abaissée manuellement selon les besoins.
2. Pour désengager le dispositif de verrouillage, tirez la poignée vers le bas. Le chariot se connectera à nouveau à la prochaine opération vers le haut ou le bas soit de façon manuelle ou en utilisant le panneau de commande ou la télécommande.



# Entretien

## Planification de l'entretien

### TOUS LES MOIS

- Faites fonctionner la porte manuellement. Si elle est déséquilibrée ou si elle grippe, appelez un technicien en systèmes de porte qualifié.
- Vérifiez que la porte s'ouvre et se ferme entièrement. Effectuez l'ajustement, au besoin; voir la page 26.
- Faites un test pour vérifier le système d'inversion de sécurité. Effectuez l'ajustement, au besoin; voir la page 27.

### TOUS LES ANS

- Huilez les rouleaux, les roulements et les charnières de porte. L'ouvre-porte de garage ne nécessite pas davantage de lubrification. N'appliquez pas de la graisse sur les rails de la porte.
- Testez la batterie et songez à la remplacer pour vous assurer que l'ouvre-porte de garage fonctionnera en cas de panne d'électricité; voir la page 28 pour tester la batterie de secours.

### TOUS LES DEUX À TROIS ANS

- Utilisez un linge pour essuyer la graisse du rail de l'ouvre-porte de garage. Appliquez à nouveau une légère couche de graisse au lithium blanc sur le dessus et à l'intérieur de la surface du rail où le chariot glisse.

*AVIS : Cet appareil est conforme à la partie 15 du règlement de la FCC ainsi qu'avec le CNR exempt de licence d'Innovation, Science et Développement économique Canada. Son utilisation est sujette aux deux conditions suivantes : (1) cet appareil ne doit pas causer d'interférences nuisibles, et (2) cet appareil doit accepter toutes les interférences reçues, y compris les interférences qui peuvent causer le fonctionnement indésirable de l'appareil. Les modifications ou les changements non expressément approuvés par la partie responsable de la conformité peuvent annuler le droit de l'utilisateur à utiliser l'équipement.*

Cet appareil a été testé et s'est avéré conforme aux restrictions imposées aux appareils numériques de classe B selon la partie 15 des règlements de la FCC et des normes ICES d'Industrie Canada. Ces limites ont pour objet de fournir une protection raisonnable contre les interférences nuisibles dans une installation résidentielle.

Cet équipement produit, utilise et peut rayonner de l'énergie radiofréquence et, s'il n'est pas installé et utilisé conformément aux instructions, il risque de causer des interférences nuisibles aux communications radio.

Toutefois, il n'est pas possible de garantir l'absence d'interférences dans une installation particulière. Si cet équipement cause des interférences nuisibles à la réception radio ou TV, ce qui peut être déterminé en l'éteignant puis en le rallumant, l'utilisateur est invité à essayer de corriger l'interférence en prenant au moins l'une des mesures suivantes :

- Réorienter ou déplacer l'antenne réceptrice.
- Éloigner l'appareil de l'équipement ou du récepteur.
- Brancher l'équipement sur une prise correspondant à un autre circuit que celui sur lequel le récepteur est branché.
- Consultez le revendeur ou un technicien radio/télé expérimenté pour obtenir de l'aide.

## Batterie de la télécommande



### AVERTISSEMENT

Pour éviter d'éventuelles BLESSURES GRAVES, voire MORTELLES :

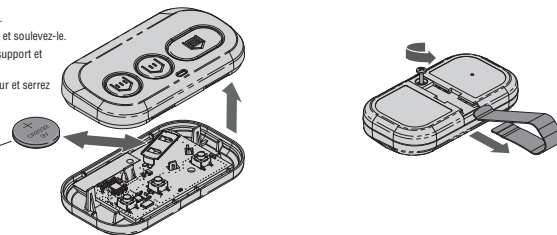
- Ne laissez JAMAIS de jeunes enfants s'approcher des piles.
- En cas d'ingestion de la pile, prévenez immédiatement un médecin.

Pour réduire les risques d'incendie, d'explosion ou de brûlures chimiques respectez ce qui suit :

- Remplacez SEULEMENT par des piles CR2032 de 3 V.
- NE PAS recharger, démonter, chauffer à plus de 100 °C (212 °F) ou incinérer.

Dévissez la vis imperdable.  
Ouvrez le boîtier supérieur et soulevez-le.  
Retirez l'ancienne pile du support et remplacez-la par la neuve.  
Remplacez le boîtier supérieur et serrez la vis imperdable.

Remplacez seulement par une pile CR2032 de 3 V.



# Dépannage

## Tableau des diagnostics

Votre ouvre-porte de garage est programmé pour s'autodiagnostiquer. Les flèches vers le HAUT et le BAS de l'ouvre-porte de garage clignotent pour indiquer les codes de diagnostic.

Code de diagnostic		Symptôme	Solution
La flèche vers le haut clignote.	La flèche vers le bas clignote.		
1	1	L'ouvre-porte de garage ne ferme pas la porte.	Les capteurs d'inversion de sécurité ne sont pas installés, connectés ou les fils sont peut-être coupés. Inspectez les fils des capteurs pour vous assurer qu'ils sont connectés et ne sont pas coupés.
1	2	L'ouvre-porte de garage ne ferme pas la porte.	Il y a un court circuit ou une inversion du fil des capteurs d'inversion de sécurité. Inspectez le fil du capteur de sécurité à toutes les agrafes et les points de connexion, remplacez le fil ou corrigez la situation, au besoin.
1	3	Le panneau de commande ne fonctionne pas.	Les fils de la commande de la porte sont court-circuités ou la commande de la porte fait défaut. Inspectez les fils du panneau de commande à toutes les agrafes et les points de connexion, remplacez le fil ou corrigez la situation, au besoin.
1	4	L'ouvre-porte de garage ne ferme pas la porte.	Les capteurs d'inversion de sécurité ne sont pas alignés correctement ou étaient momentanément obstrués. Alignez les deux capteurs correctement jusqu'à ce que les deux voyants à DEL soient allumés en continu. Assurez-vous que rien n'est suspendu ou installé sur la porte de façon à interrompre le chemin du capteur lorsque la porte se ferme.
1	5	La porte bouge de 15-20 cm (6-8 po), s'arrête et remonte.	Ouvrez et fermez la porte manuellement. Vérifiez si elle grippe ou s'il y a des obstructions comme un ressort brisé ou le dispositif de verrouillage et corrigez la situation, au besoin. Vérifiez les connexions des fils au module de déplacement et à la carte mère. Remplacez le module de déplacement, au besoin.
		Il n'y a aucun mouvement, seulement un clic.	Ouvrez et fermez la porte manuellement. Vérifiez si elle grippe ou s'il y a des obstructions comme un ressort brisé ou le dispositif de verrouillage et corrigez la situation, au besoin. Remplacez la carte mère si nécessaire.
		L'ouvre-porte émet un son de bourdonnement pendant 1 à 2 secondes sans mouvement.	Ouvrez et fermez la porte manuellement. Vérifiez si elle grippe ou s'il y a des obstructions comme un ressort brisé ou le dispositif de verrouillage et corrigez la situation, au besoin. Remplacez le moteur, au besoin.
2	1-5	Aucun mouvement ou son.	Remplacez la carte mère.
3	2	Incapacité à régler le déplacement ou à garder la position.	Vérifiez le module de déplacement pour avoir le bon assemblage, remplacez-le, au besoin.
3	3	La DEL d'état de la batterie clignote constamment en vert.	Erreur du circuit de la batterie de secours, remplacez la carte mère.
4	1-4	La porte bouge, s'arrête et change de direction. L'ouvre-porte émet des bips et les voyants clignotent.	Ouvrez et fermez la porte manuellement. Vérifiez si elle grippe ou s'il y a des obstructions comme un ressort ou un dispositif de verrouillage cassé, corrigez si nécessaire. Si la porte grippe, ou colle, communiquez avec un technicien qualifié en systèmes de portes. Si la porte ne grippe ou ne colle pas, essayez de reprogrammer le déplacement (voir 26).
4	5	L'ouvre-porte fonctionne environ pour un déplacement de 15-20 cm (6-8 po), s'arrête et change la direction du déplacement.	Erreur de communication avec le module de déplacement. Vérifiez les connexions du module de déplacement, remplacez le module de déplacement, au besoin.
4	6	L'ouvre-porte de garage ne ferme pas la porte.	Les capteurs d'inversion de sécurité ne sont pas alignés correctement ou étaient momentanément obstrués. Réalignez les deux capteurs pour vous assurer que les deux DEL sont stables et ne clignotent pas. Assurez-vous que rien n'est accroché ou monté sur la porte qui pourrait interrompre le faisceau du capteur lors de la fermeture.

## Dépannage (suite)

---

### **L'OUVRE-PORTE DE GARAGE N'ENTRE PAS DANS LE MODE LEARN (APPRENTISSAGE) DU WI-FI® :**

- Après l'installation initiale de l'ouvre-porte de garage, ce dernier doit effectuer un cycle complet (ouverture et fermeture) avant que le mode d'apprentissage Wi-Fi® puisse être activé.
- S'il y a récemment eu une panne d'électricité, l'ouvre-porte de garage doit effectuer un cycle complet avant que le mode d'apprentissage Wi-Fi® puisse être activé.

### **L'OUVRE-PORTE DE GARAGE NE SE CONNECTE PAS AU RÉSEAU WI-FI® DE LA MAISON :**

- Assurez-vous que le numéro de série de myQ® est saisi correctement et essayez à nouveau. Les caractères de myQ® sont entre AF et 0 à 9 seulement.
- Signal Wi-Fi® faible dans le garage. Assurez-vous que le signal Wi-Fi® atteint le garage ou visitez [support.chamberlaingroup.com](http://support.chamberlaingroup.com) pour plus d'information.

### **MA PORTE NE SE FERME PAS ET LES LAMPES CLIGNOTENT 10 FOIS :**

- Le capteur d'inversion de sécurité doit être connecté et aligné correctement avant que l'ouvre-porte de garage fasse descendre la porte.
  - Vérifiez que les capteurs d'inversion sont installés et alignés correctement et qu'ils ne sont pas obstrués.
  - Si le capteur de réception (voyant à DEL vert) fait directement face à la lumière du soleil, changez le capteur de réception avec le capteur d'envoi pour que le capteur de réception ne soit pas à la lumière directe du soleil.

### **LES VOYANTS À DEL NE FONCTIONNENT PAS :**

Vérifiez les fils des deux modules intégrés de lumières à DEL au connecteur. S'ils ne sont pas bien fixés, reconnectez-les. Si les lumières ne s'allument pas, vous avez peut-être besoin d'un nouveau module intégré de lumières à DEL. Visitez la page du soutien ou un technicien qualifié en système de porte pour déterminer si vous avez besoin d'un nouveau module intégré d'éclairage à DEL.

### **LA TÉLÉCOMMANDE DE MON VOISIN OUVRE MA PORTE DE GARAGE :**

Effacez la mémoire de votre ouvre-porte de garage et reprogrammez la ou les télécommandes.

### **LE SYSTÈME HOMELINK® DE MON VÉHICULE NE SE PROGRAMME PAS AVEC L'OUVRE-PORTE DE MON GARAGE :**

Cet ouvre-porte est compatible avec les versions 4, 5 et 6 de HomeLink. La programmation et le soutien HomeLink peuvent être obtenus en communiquant directement avec HomeLink au 1 800 355-3515 ou en visitant leur site Web à [www.HomeLink.com](http://www.HomeLink.com).

### **MA CAMÉRA NE SE CONNECTE PAS AU ROUTEUR :**

- Rapprochez votre routeur de l'ouvre-porte de garage pour minimiser les interférences avec les murs et autres objets.
- Achetez un prolongateur de portée Wi-Fi.

Pour les problèmes avec la caméra, appuyez sur le bouton de réinitialisation sur la caméra et maintenez-le enfoncé pendant 10 secondes. Suivez ensuite les instructions de l'application myQ® pour régler la caméra.

## Accessoires

### L979M **MAX Wireless entrée sans clé :**



Pour utilisation à l'extérieur de la maison pour permettre l'accès au garage en utilisant un code à 4 chiffres. Fonctionne avec TOUS les ouvre-portes LiftMaster de 1997 jusqu'à maintenant. Téléchargez l'application myQ pour plus d'informations.

### L993M **Télécommande Max à 3 boutons :**



Compatible avec les ouvre-portes de garage LiftMaster fabriqués depuis 1997. Comprend une pince pour le pare-soleil.

### L958W **Panneau de commande intelligent :**



Affiche la température, l'heure et les diagnostics du système, comprend une barre de poussée pour ouvrir et fermer la porte et serrure pour avantage de sécurité. Compatible avec le Wi-Fi et Security+ 3.0

### L957W

#### **Panneau de commande à détection de mouvement :**



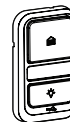
Panneau de commande multifonctions avec détecteur de mouvement qui allume automatiquement les lumières de l'ouvre-porte lorsqu'il détecte une personne entrant dans le garage. Compatible avec le Wi-Fi et Security+ 3.0

### L991S **Télécommande standard à 1 bouton :**



Compatible avec les appareils Security+ 3.0.

### L956W **Panneau de commande à plusieurs fonctions :**



Compatible avec les ouvre-portes Security+ 3.0.

### L992U **Télécommande universelle :**



La télécommande universelle peut être programmée pour activer jusqu'à deux produits comme l'ouvre-porte de garage, l'opérateur de barrière ou un opérateur de porte commerciale. Compatible avec les ouvre-portes de garage LiftMaster fabriqués depuis 1997. Comprend une pince pour le pare-soleil.

# Garantie

LiftMaster® (le « Vendeur ») garantit au premier acheteur au détail que ce produit installé pour la première fois dans sa résidence est sans défaut de matériel, de main-d'œuvre pendant la période précise définie ci-dessous (« Période de la garantie »). La période de garantie commence à partir de la date d'achat.

Période de garantie							
Modèles	Pièces	Moteur	Accessoires	Courroie	Batterie de secours	Voyants à DEL intégrés	Caméra
6580	1 an	6 ans	1 an	6 ans	1 an	1 an	1 an
4690	5 ans	À vie	1 an	À vie	1 an	5 ans	1 an
6690	5 ans	À vie	1 an	À vie	1 an	5 ans	1 an

Le bon fonctionnement de ce produit dépend du respect des instructions en ce qui a trait l'installation, l'utilisation, l'entretien et les tests. Le fait de ne pas se conformer strictement à ces instructions annulera la présente garantie limitée dans son intégralité.

**TOUTES LES GARANTIES IMPLICITES DU PRODUIT, INCLUANT SANS TOUTEFOIS S'Y LIMITER, LES GARANTIES IMPLICITES DE QUALITÉ MARCHANDE ET D'ADÉQUATION À UN USAGE PARTICULIER, SONT LIMITÉES DANS LEUR DURÉE À LA LA PÉRIODE DE GARANTIE LIMITÉE APPLICABLE ÉTABLIE CI-DESSUS POUR LES COMPOSANTS CONCERNÉS ET AUCUNE GARANTIE IMPLICITE N'EXISTERA OU NE S'APPLIQUERA APRÈS CETTE PÉRIODE. Certaines provinces et certains États n'autorisent pas les limitations de durée de garantie implicite; il est possible que les limitations ci-dessus ne s'appliquent pas dans votre cas. CETTE GARANTIE LIMITÉE NE COUVRE PAS LES DOMMAGES NON DÉFECTUEUX, LES DOMMAGES CAUSÉS PAR UNE INSTALLATION, UNE UTILISATION OU UN ENTRETIEN INCORRECTS (INCLUANT SANS S'Y LIMITER, L'ABUS, LE MAUVAIS USAGE, LE DÉFAUT DE FOURNIR UN ENTRETIEN RAISONNABLE ET NÉCESSAIRE, LES RÉPARATIONS NON AUTORISÉES OU TOUTE MODIFICATION DE CE PRODUIT), LES FRAIS DE MAIN-D'ŒUVRE POUR RÉINSTALLER UNE UNITÉ RÉPARÉE OU REMPLACÉE, LE REMPLACEMENT DES ARTICLES CONSOMMABLES (P. EX., PILES DANS LES ÉMETTEURS DE TÉLÉCOMMANDE), OU LES UNITÉS INSTALLÉES POUR UN USAGE NON RÉSIDENTIEL. LA PRÉSENTE GARANTIE LIMITÉE NE COUVRE PAS LES PROBLÈMES LIÉS À LA PORTE DE GARAGE OU À LA QUINCAILLERIE DE LA PORTE DE GARAGE, INCLUANT SANS S'Y LIMITER, LES RESSORTS, LES ROULETTES, L'ALIGNEMENT OU LES CHARNIÈRES DE LA PORTE. LA PRÉSENTE GARANTIE LIMITÉE NE COUVRE PAS NON PLUS LES PROBLÈMES CAUSÉS PAR DES INTERFÉRENCES. EN AUCUN CAS LE VENDEUR NE SERA RESPONSABLE DES DOMMAGES CONSÉCUTIFS, ACCIDENTELS OU SPÉCIAUX LIÉS À L'UTILISATION OU À L'IMPOSSIBILITÉ D'UTILISER CE PRODUIT. EN AUCUN CAS LA RESPONSABILITÉ DU VENDEUR POUR BRIS DE GARANTIE, BRIS DE CONTRAT, NÉGLIGENCE OU RESPONSABILITÉ STRICTE NE DÉPASSERA LE COÛT DU PRODUIT COUVERT PAR LES PRÉSENTES. PERSONNE N'EST AUTORISÉ À ASSUMER EN NOTRE NOM QUELQUE AUTRE RESPONSABILITÉ RELATIVE À LA VENTE DE CE PRODUIT.**

Certains États et Provinces n'autorisant pas l'exclusion ou la limitation des dommages consécutifs, accessoires ou spéciaux, il est possible que la limitation ou l'exclusion susmentionnée ne s'applique pas à vous. Cette garantie limitée vous donne des droits légaux spécifiques et vous pouvez également avoir d'autres droits, qui varient d'un État à l'autre et d'une province à l'autre.

# Guide de sécurité et d'entretien de l'ouvre-porte de garage automatique

## Sécurité de l'ouvre-porte de garage – Une décision automatique

La porte de garage est le plus grand objet mobile d'une maison. Le réglage inapproprié de la porte de garage et de l'ouvre-porte peut entraîner une force mortelle lorsque la porte se ferme, ce qui peut coincer un enfant ou un adulte et entraîner des blessures ou la mort.

L'installation, l'utilisation, l'entretien et les tests de la porte de garage et de l'ouvre-porte automatique doivent être effectués correctement pour que le système soit sûr et ne présente aucun problème. Une utilisation imprudente ou permettre à des enfants de jouer avec les commandes de l'ouvre-porte ou de l'utiliser sont également des situations dangereuses qui peuvent mener à des conséquences tragiques. Quelques précautions simples peuvent protéger votre famille et vos amis de blessures possibles. Veuillez examiner les conseils de sécurité et d'entretien qui se trouvent dans le présent guide et le garder pour consultation future. Vérifiez le fonctionnement de votre porte de garage et de votre ouvre-porte pour vous assurer qu'ils fonctionnent de façon sécuritaire et sans problème. Assurez-vous de lire toutes les données importantes sur la sécurité qui se trouvent dans votre manuel d'ouvre-porte, car elles contiennent davantage de détails et d'éléments à prendre en considération que ce qui peut être fourni dans le présent guide.

### L'ouvre-porte de garage n'est pas un jouet.

Parlez avec vos enfants de la sécurité relative à la porte de garage et à l'ouvre-porte. Expliquez les dangers de se retrouver coincé sous la porte.



**Tenez-vous à l'écart d'une porte en mouvement.**



**Le bouton-poussoir installé sur le mur devrait être hors de la portée des enfants, à au moins 5 pieds de la surface la plus proche sur laquelle on peut se tenir debout et loin de toutes les parties qui peuvent être en mouvement. Installez et utilisez le bouton à un endroit où vous pouvez clairement voir la porte de garage se fermer.**



**Gardez TOUJOURS les émetteurs et les télécommandes hors de la portée des enfants.** Ne laissez pas les enfants jouer avec ou utiliser des émetteurs ou d'autres dispositifs de commande à distance.



**Gardez la porte à vue jusqu'à ce qu'elle se ferme complètement** lorsque vous utilisez le bouton-poussoir ou l'émetteur mural.

# L'entretien de routine peut éviter des tragédies

Faites des inspections et des tests de votre porte de garage et votre système d'ouvre-porte tous les mois en tant que partie de votre routine. Relisez le guide de l'utilisateur de la porte ainsi que de l'ouvre-porte. Si vous n'avez pas de guide de l'utilisateur, communiquez avec le fabricant et demandez l'exemplaire pour votre modèle précis. Recherchez le numéro de modèle de votre ouvre-porte au dos du bloc de moteur.



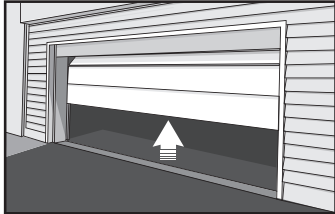
## AVERTISSEMENT

Les ressorts sont sous tension élevée. Ne desserrez pas et n'ajustez pas les supports inférieurs, les fixations rouges, les câbles ou les pièces de soutien. Seuls les techniciens formés aux systèmes de porte devraient régler ces composants.



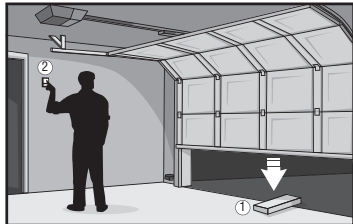
### Vérifiez visuellement la porte et l'installation :

- En commençant avec la porte en position fermée, utilisez le débrayage manuel sur l'ouvre-porte pour déconnecter la porte.
- Vérifiez s'il y a des signes d'usure ou de dommage sur les charnières, les galets, les ressorts et les panneaux de la porte.
- Ces pièces peuvent nécessiter une lubrification périodique. Consultez le guide du propriétaire pour connaître l'entretien suggéré.
- S'il y a des signes de dommages évidents, communiquez avec un technicien qualifié en systèmes de portes pour obtenir de l'aide.
- Vérifiez que la hauteur de l'œil photo n'est pas supérieure à 6 po du sol du garage.



### Effectuez un test de la porte pour vérifier qu'elle fonctionne correctement :

- Ouvrez et fermez manuellement la porte à l'aide des poignées ou de points de prise appropriés.
- La porte devrait bouger librement sans difficulté.
- **La porte doit s'équilibrer et rester partiellement ouverte à 3-4 pieds au-dessus du sol.**
- Si vous détectez des signes de fonctionnement inadéquats, communiquez avec un technicien en systèmes de porte qualifié pour obtenir de l'aide.



### Effectuez un test des fonctions de sécurité de l'ouvre-porte :

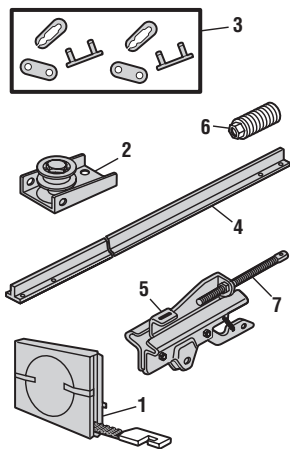
- Reconnectez l'ouvre-porte à la porte en utilisant la déconnexion manuelle et ouvrez la porte.
- Placez un bloc de 2x4 po à plat dans le chemin de la porte (1) et essayez de la fermer (2). La porte devrait s'arrêter lorsqu'elle entre en contact avec le bloc de 2x4 et remonter.
- Obstruez le capteur photoélectrique en agitant un objet devant le capteur essayez de fermer la porte. La porte ne doit pas se fermer si le bouton-poussoir mural n'est pas maintenu manuellement pendant le fonctionnement.
- Si l'ouvre-porte ne fonctionne pas comme décrit, communiquez avec un technicien en systèmes de portes qualifié pour obtenir de l'aide.



# Pièces de rechange

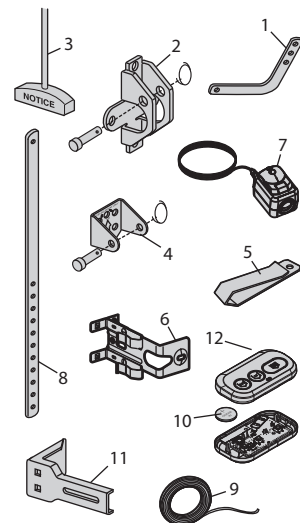
## Pièces d'assemblage de rails 6690

Description		Numéro de pièce
1	Courroie - pour porte de 7 pi Courroie - pour porte de 8 pi Courroie - pour porte de 10 pi	041A5434-11A 041A5434-13A 041A5434-14A
2	Support de la courroie de poulie	041B5424
3	Maillon principal	004A1008
4	Rail monopiece de 2,1 m (7 pi) Rail monopiece de 2,4 m (8 pi) Rail monopiece de 3 m (10 pi)	2777BD 2778BD 2770BD
5	L'assemblage du chariot comprend : Maillon principal (2), axe à épaulement (1), anneau (1), clip de courroie (1), arbre fileté (1) et assemblage de tendeur (1)	041B3869-3A
6	Kit de tendeur de courroie	041B4103
7	Arbre fileté du chariot	041A6689



## Pièces d'installation

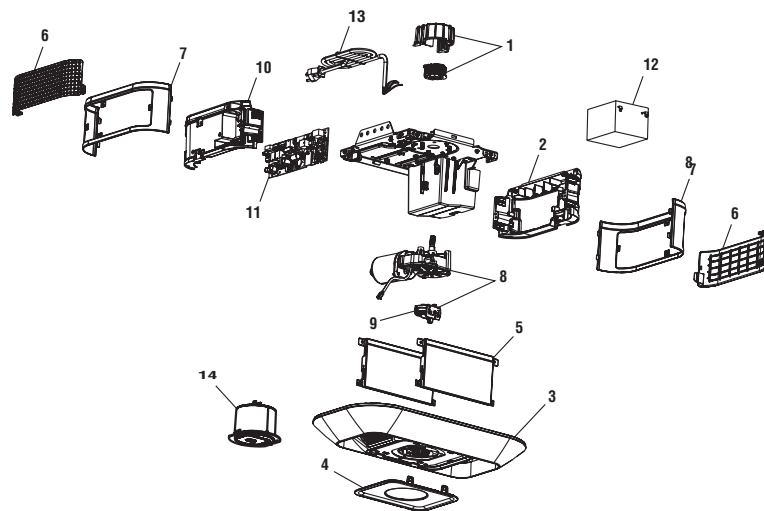
Description		Numéro de pièce
1	Bras de porte incurvé	041B0035B
2	Support de porte, axe à épaulement et attache	041A5047-1
3	Corde et poignée de déclenchement d'urgence	041A2828
4	Support de linteau avec axe à épaulement et fixation	041A4353-1
5	Clip de pare-soleil pour la télécommande	
6	Support pour le capteur de sécurité	041-0136-000
7	Ensemble de capteurs de sécurité muni de capteurs d'envoi et de réception et fil à 2 conducteurs de 0,9 m (3 pi)	041-0136
8	Bras de porte droit	4178B0034B
9	Fil blanc et rouge/blanc	041B4494-1
10	Batterie au lithium 3 V	K010A0020
11	Support d'extension (optionnel)	041A5281-1
<b>Non illustré</b>		
Installation du sac de matériel		041A2770-17
Guide d'utilisation		
Guide d'utilisateur		



## Pièces détachées (suite)

### Pièces d'assemblage de l'ouvre-porte de garage 6690

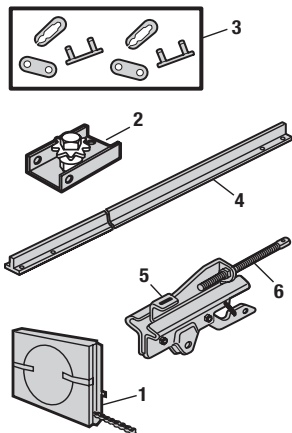
Description	Numéro de pièce	
1	Kit de retenue de capuchon de courroie	041C1751
2	Panneau d'extrémité	041-0185-000
3	Module intégré d'éclairage à DEL	041-0502-000
4	Insigne avec caméra	041-0501-000
5	Couvercle du boîtier principal	041-0190-000
6	Panneau de commande de la porte	041-0192-000
7	Couvercle du panneau d'extrémité	041-0193-000
8	Moteur avec module de déplacement	041-0236-000
9	Module de déplacement	041D8071-4
10	Panneau d'extrémité de la carte mère	041-0503-000
11	Carte mère	030DCT
12	Batterie de secours	485LM
13	Câble de ligne	041-0505-000
14	Caméra	041-0506-000
<b>Non illustré</b>		
Faisceau de câbles	041-0507-000	
Faisceau de câblage de la caméra	041-0508-000	
Transformateur	041-0509-000	



## Pièces détachées (suite)

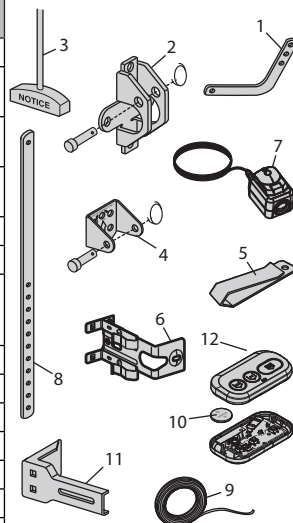
### Pièces d'assemblage du rail modèle 4690L

Description	Numéro de pièce	
1	Chaîne - pour porte de 7 pi Chaîne - pour porte de 8 pi Chaîne - pour porte de 10 pi Chaîne - pour porte de 12 pi Chaîne - pour porte de 14 pi	041D3484 041D3483 041D3485 19-5812 19-5814
2	Support pour la poulie de chaîne	041A2780
3	Maillon principal	004A1008
4	Rail monopiece de 7 pi Rail monopiece de 8 pi Rail monopiece de 10 pi Rail monopiece de 12 pi Rail monopiece de 14 pi	3707CH 3708CH 3710CH 3712RV 3714RV
5	L'assemblage du chariot comprend : Maillon principal (1), axe à épaulement (1), anneau (1), arbre fileté (1) et écrous (2)	041A3489
6	Arbre fileté du chariot	K109B0018



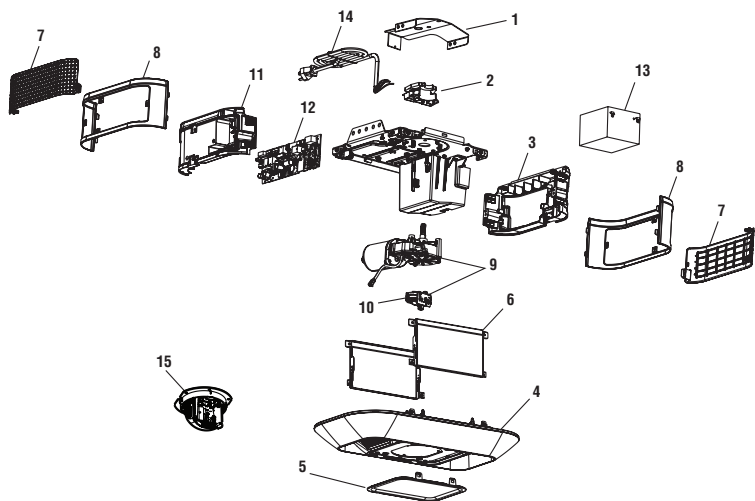
### Pièces d'installation

Description	Numéro de pièce	
1	Bras de porte incurvé	041B0035B
2	Support de porte, axe à épaulement et attache	041A5047-1
3	Corde et poignée de déclenchement d'urgence	041A2828
4	Support de linteau avec axe à épaulement et fixation	041A4353-1
5	Clip de pare-soleil pour la télécommande	041-0494-000
6	Support pour le capteur de sécurité	041-0155-000
7	Ensemble de capteurs de sécurité muni de capteurs d'envoi et de réception et fil à 2 conducteurs de 0,9 m (3 pi)	041-0136
8	Bras de porte droit	4178B0034B
9	Fil blanc et rouge/blanc	041B4494-1
10	Batterie au lithium 3 V	K010A0020
11	Support d'extension (optionnel)	041A5281-1
12	Télécommande	L993M
	<b>Non illustré</b>	
	Panneau de commande intelligent	L958W
	Installation du sac de matériel	041A2770-17



## Pièces détachées (suite)

### Pièces d'assemblage de l'ouvre-porte de garage 4690

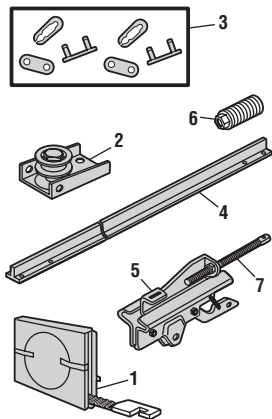


	Description	Numéro de pièce
1	Support de châssis	041C5069
2	Écarteur de chaîne et pignon	041-0035
3	Panneau d'extrémité, accès à la batterie	041-0500-000
4	Module intégré d'éclairage à DEL	041-0502-000
5	Insigne avec caméra	041-0501-000
6	Couvercle du boîtier principal	041-0190-000
7	Panneau de la porte de commande	041-0192-000
8	Couvercle du panneau d'extrémité	041-0193-000
9	Moteur avec module de déplacement	041-0236-000
10	Module de déplacement	041D8071-4
11	Panneau d'extrémité de la carte mère	041-0503-000
12	Carte mère	030DCT
13	Batterie de secours	485LM
14	Câble de ligne	041-0505-000
15	Caméra	041-0506-000
	<b>Non illustré</b>	
	Faisceau de câbles	041-0507-000
	Transformateur	041-0509-000

## Pièces détachées (suite)

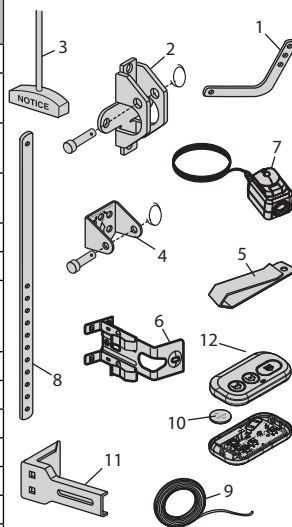
### Pièces d'assemblage modèle 6580L

Description		Numéro de pièce
1	Courroie - pour porte de 7 pi Courroie - pour porte de 8 pi Courroie - pour porte de 10 pi	041A5434-11A 041A5434-13A 041A5434-14A
2	Support de la poulie de courroie	041B5424
3	Maillon principal	004A1008
4	Rail monopiece de 2,1 m (7 pi) Rail monopiece de 2,4 m (8 pi) Rail monopiece de 3 m (10 pi)	2777BD 2778BD 2770BD
5	L'assemblage du chariot comprend : Maillon principal (2), axe à épaulement (1), anneau (1), clip de courroie (1), arbre fileté (1) et assemblage de tendeur (1)	041B3869-3A
6	Écrou de chariot à ressort	041B4103
7	Arbre fileté du chariot	041A6689



### Installation

Description		Numéro de pièce
1	Bras de porte incurvé	041B0035B
2	Support de porte, axe à épaulement et attache	041A5047-1
3	Corde et poignée de déclenchement d'urgence	041A2828
4	Support de linteau avec axe à épaulement et fixation	041A4353-1
5	Clip de pare-soleil pour la télécommande	041-0494-000
6	Support pour le capteur de sécurité	041-0155-000
7	Ensemble de capteurs de sécurité muni de capteurs d'envoi et de réception et 2 x 0,9 m (3 pi) de fils conducteurs	041-0136
8	Bras de porte droit	4178B0034B
9	Fil blanc et rouge/blanc	041B4494-1
10	Batterie au lithium 3 V	K010A0020
11	Support d'extension (optionnel)	041A5281-1
12	Télécommande	L993M
<b>Non illustré</b>		
Installation du sac de matériel		041A2770-17
Panneau de commande à plusieurs fonctions		L957W



# Pièces de rechange

## Pièces de l'ouvre-porte de garage 6580

Description	Número de pièce	
1	Retenue de capuchon de courroie	041C1751
2	Pignon	041B5348-2
3	Panneau d'extrémité	041-0184-000
4	Kit d'éclairage double	041-0188-000
5	Badge	041-0196-000
6	Couvercle du boîtier principal	041-0191-000
7	Panneau de commande de la porte	041-0192-000
8	Couvercle du panneau d'extrémité	041-0194-000
9	Moteur avec module de déplacement	041D0794-1
10	Module de déplacement	041D0871-4
11	Panneau d'extrémité de la carte mère	041-0503-000
12	Carte mère	030DCT
13	Câble de ligne	041-0505-000
14	Caméra	041-0506-000
15	Batterie de secours	485LM
<b>Non illustré</b>		
Faisceau de câbles	041-0180-000	
Faisceau de câblage de la caméra	041-0349-000	
Transformateur, Wi-Fi	041D0277-2	

